

BrassCraft®

Gas Appliance & Water Heater Connectors

Innovative solutions delivered

Better engineering, better selection, better results



GAS CONNECTORS

WATER HEATER CONNECTORS

GAS VALVES

EXCESS FLOW VALVES

TANKLESS SERVICE VALVES

INSTALLATION KITS



The Professional's Head Start

Our clearly illustrated, easy-to-use catalogs are an important part of the BrassCraft leadership tradition – versatile, highly effective products that can help make your job easier and more rewarding. With BrassCraft catalogs by your side, finding and ordering the right plumbing products for every application is faster and simpler than ever before.



WATER SUPPLIES

An invaluable, one-stop resource for plumbing professionals.

- Supply Stops
- Water Connectors
- Supply Kits
- Risers
- Fittings
- Heavy Pattern
- Special Finish

GAS APPLIANCE & WATER HEATER CONNECTOR

A complete source for BrassCraft stainless steel gas connectors.

- Gas Connectors
- Water Heater Connectors
- Gas Valves
- Excess Flow Valves
- Tankless Service Valves
- Installation Kits

BRASS FITTINGS

A comprehensive catalog featuring a full line of reliable, easy-to-install fittings and products.

- Flare
- Compression
- CPVC
- Iron Pipe
- Hose Barb
- Garden Hose
- Drain/Shut-off Cocks
- Needle & Humidifier Valves

GAS APPLIANCE & WATER HEATER CONNECTORS

Table of Contents

BrassCraft®

Gas Connectors	4-24	Water Heater Connectors	37-44
Installation Kits	25-28	Point of Purchase	45-46
Gas Ball Valves	29-31	Specifications	47-56
Excess Flow Valves	32-33	Index	57-62
Gas Fittings	34-36		

BrassCraft®

American-Made Quality

Founded in 1946 by Robert Zell in Detroit, Michigan, BrassCraft Mfg. Co. innovated and perfected the one-piece water supply valve and the flexible water supply tube. Today these products have become the industry standard for residential and commercial plumbing projects. BrassCraft has headquarters and manufacturing facilities in the U.S. We continue to remain competitive through major investments in our manufacturing facilities and by employing American workers.



State-of-the-Art Engineering and Manufacturing

In the competitive environment of manufacturing, we know that we must meet your specifications for cost and quality. Everything we make is engineered for efficient equipment utilization and quality checked to exacting standards. This commitment to quality parts manufactured to the highest standards in tolerance and finish, has earned us our reputation for excellence.




Compliant Solutions for the 2014 No-Lead Law



As of January 4, 2014, Federal Public Law 111-380 prohibits the sale of plumbing fixtures with a wetted surface area containing more than a weighted average of 0.25% lead. This law virtually eliminates the lead content of pipes, pipe fittings, plumbing fittings and fixtures intended to convey or dispense water for drinking or cooking.

BrassCraft Manufacturing is meeting the new no-lead law head on with a comprehensive range of compliant products including water heater connectors and tankless service valves.

Look for the checkmark  on packaging to verify that the product meets the new no-lead legislation requirements.



The Latest Technology

When it comes to technology, BrassCraft Manufacturing has consistently led the industry. We understand the benefits of electronic commerce, and are constantly striving to implement the latest technologies to serve you better.



EDI System

Saves time and ensures order accuracy by electronic order submission through our EDI (Electronic Data Interchange) system.

SureCount™ Verification

Our SureCount™ shipping verification system improves efficiency in the distribution stream and reduces your receiving costs. Using state-of-the-art bar code technology, we verify outbound shipments to eliminate the need to double-check the shipment, saving you time and money.

ROA Interface

BrassCraft's exclusive Remote Order Access system enables you to:

- Perform order entry and confirmation
- Check order status and ship dates
- Access invoices and packing slips
- Print packing lists
- Track shipments
- Online proof of delivery

QR Barcodes

We employ QR (Quick Response) barcode technology on our packaging so customers can photo scan barcodes with their smart phones to access rich data about our products. These enhanced applications allow access to specifications, installation instructions and information to assist in the buying decision.

Interactive Web

The streamlined, user-friendly site provides detailed information on the growing range of BrassCraft® plumbing supplies. Our website can be used with most handheld devices from smart phones, feature phones to tablet computers.

The Professional's Choice®

When it comes to customized products to meet code or job requirements, BrassCraft offers the widest range of stop variations including metal stems, lock shields, stuffing boxes, and handle options. So when you need water supply products for any project,

small or large, specify the brand that professionals worldwide have trusted for over 65 years – BrassCraft.



The Best Service in the Industry

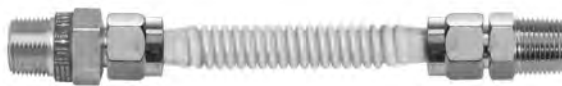
What good are the best products in the industry without the best service? We match our high manufacturing standards with an equally high standard for customer service. When you call BrassCraft, you're our number one priority. Our sales and service team is ready to

answer your questions and fill your orders promptly and courteously.



Part Numbering System

Example:



C S S C	5 4 E	-	4 8
Type	Size and Style		Length
Coated Stainless Steel – 1/2" ID (5/8" OD) Tube	Safety+PLUS® Valve – 1/2" FIP (3/4" MIP) Inlet x 1/2" MIP Outlet		48" Nominal Length

CSSC

Type

Connector Type

CSSB	Coated Stainless Steel - 3/4" ID (7/8" OD) Tube
CSSC	Coated Stainless Steel - 1/2" ID (5/8" OD) Tube
CSSD	Coated Stainless Steel - 3/8" ID (1/2" OD) Tube
CSSL	Coated Stainless Steel - 1/4" ID (3/8" OD) Tube
CSST	Coated Stainless Steel - 1/4" ID (3/8" OD) Tube, Fine Thread Nuts

Black Connectors:

BCSSD	Black Coated Stainless Steel - 3/8" ID (1/2" OD) Tube
BCSSL	Black Coated Stainless Steel - 1/4" ID (3/8" OD) Tube

5 4 E

Size and Style

End Fitting/Valve Size and Style

Fittings:

1	3/4" MIP Straight (tapped 1/2" FIP)
2	3/4" FIP Straight
3	3/4" FIP Elbow
4	1/2" MIP Straight (tapped 3/8" FIP)
5	1/2" FIP Straight
7	3/8" MIP (tapped 1/8" FIP) Straight for CSSD and CSSL connectors only
8	3/8" FIP Straight for CSSD and CSSL connectors only
9	5/8" Female Flare Straight*
10	3/4" MIP Straight (tapped 1/2" Female Flare)*
11	1/2" MIP Straight (tapped 3/8" Female Flare)*
12	1" MIP Straight (tapped 3/4" FIP)
14	1" FIP Straight
NN	Nut x Nut (connector sold less fittings)**

Ball Valves:

J	3/4" FIP Straight
K	1/2" FIP Straight
M	1/2" FIP Straight (for CSSL connectors only)
P	3/4" FIP Angle

Note: "E" suffix denotes Safety+PLUS® valve

* Available in Safety+PLUS® only

** Non-Certified Gas Connector

4 8

Length

Nominal Connector Length in Inches

Standard Lengths: 12", 18", 24", 30", 36", 48", 60", and 72"

Nominal length includes adaptors. Connectors with valves are approximately 1" longer.

Dimensional Data

	Connector Series	Size				
		CSST	CSSL	CSSD	CSSC	CSSB
	"A" Diameter Nom OD Tube	3/8"	3/8"	1/2"	5/8"	7/8"
	"B" Diameter Nom ID Tube	1/4"	1/4"	3/8"	1/2"	3/4"
Flare Nut Thread	3/8" OD Tube 9/16-24 Thread	3/8" OD Tube 5/8-18 Thread	1/2" OD Tube 3/4-16 Thread	5/8" OD Tube 15/16-16 Thread	7/8" OD Tube 1-1/16-16 Thread	

Connector Flow Capacity – Per ANSI Z21.24 • CSA 6.10*

Connectors should be sized based upon the appliance gas consumption rate. Select a connector with a capacity equal to or greater than appliance input rate.

Connector Series	Nominal Connector (Inch)		STRAIGHT LENGTH CAPACITY - NATURAL GAS BTU PER HOUR							
	ID	OD	12"	18"	24"	30"	36"	48"	60"	72"
CSSL/CSST/BCSSL	1/4	3/8	48,000	43,800	40,000	36,400	33,400	28,300	24,900	23,100
CSDD/BCSSD	3/8	1/2	102,000	93,100	85,000	77,100	71,100	60,500	53,200	49,100
CSSC	1/2	5/8	180,000	164,200	150,000	136,000	125,000	106,000	93,200	86,000
CSSB	3/4	7/8	290,900	290,900	290,900	270,500	255,900	215,000	197,400	173,900

Connector Series	Nominal Connector (Inch)		STRAIGHT LENGTH CAPACITY - LPG (PROPANE) BTU PER HOUR							
	ID	OD	12"	18"	24"	30"	36"	48"	60"	72"
CSSL/CSST/BCSSL	1/4	3/8	76,800	70,080	64,000	58,240	53,440	45,280	39,840	36,960
CSDD/BCSSD	3/8	1/2	163,200	148,960	136,000	123,360	113,760	96,800	85,120	78,560
CSSC	1/2	5/8	288,000	262,720	240,000	217,600	200,000	169,600	149,120	137,600
CSSB	3/4	7/8	465,440	465,440	465,440	432,800	409,440	344,000	315,840	278,240

Connector Series	Nominal Connector (Inch)		STRAIGHT LENGTH CAPACITY - WATTS							
	ID	OD	0.31m	0.46m	0.61m	0.76m	0.92m	1.22m	1.53m	1.83m
CSSL/CSST/BCSSL	1/4	3/8	14,067	12,837	11,723	10,668	9,789	8,294	7,297	6,770
CSDD/BCSSD	3/8	1/2	29,893	27,285	24,911	22,596	20,837	17,731	15,591	14,390
CSSC	1/2	5/8	52,752	48,122	43,961	39,858	36,634	31,066	27,314	25,380
CSSB	3/4	7/8	85,254	85,254	85,254	79,276	74,997	63,010	57,852	50,965

0.64 Sp Gr, 1000 Btu per cu. ft. (37.2 MJ/m³) gas at 0.5 inch water column (124Pa) pressure drop. Per ANSI Z21.24 • CSA 6.10 for use with pressures not to exceed 1/2 PSI.

*The flow capacities in the above charts are the minimum performance criterion established in ANSI Z21.24 • CSA 6.10 & ANSI Z21.75 • CSA 6.27. The flow capacity of BrassCraft connectors, regardless of end fitting or valve assembled, exceed these minimum flow requirements.

Steel Fitting Torque Values – Per ANSI Z21.24 • CSA 6.10

Tube	Torque (inch pounds)**	
	Minimum	Maximum
CSSL	150	250
CSDD	200	390
CSSC	250	520
CSSB	400	780

**Torque range recommended to tighten gas connector

Safety+PLUS®

Coated Stainless Steel Gas Connectors with Patented Excess Flow Technology



Safety+PLUS® gas connectors combine advanced corrosion protection with state-of-the-art excess-flow technology to deliver a superior gas connector for home and family.

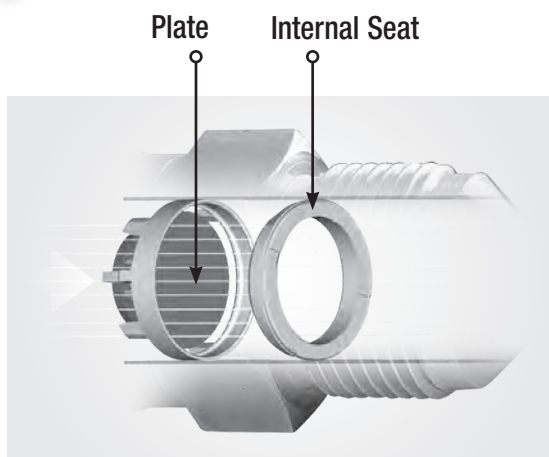
The Safety+PLUS® excess flow valve (EFV) helps prevent gas fires and explosions due to line ruptures and disconnects at the appliance. When triggered, the Safety+PLUS valve immediately restricts gas flow to a non-hazardous level (bypass flow) to prevent dangerous release of gas into the home.

Gas flow is controlled at the appliance where the problem occurred; the rest of the home's system will continue to function. Once the gas line is properly repaired, the valve automatically restores normal gas flow to the appliance.

- Automatic Valve Activation
- CSA Certified
- 100% Performance Tested
- Automatic Reset

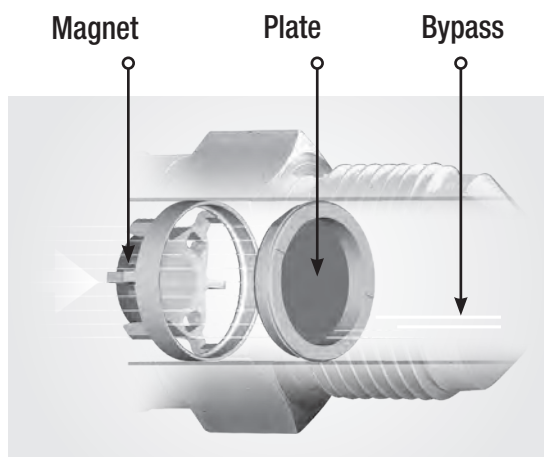


Magnet-Based Technology



Open

Under normal operating conditions, the magnet holds the plate in place, allowing full gas flow to the appliance.



Activated

A gas line rupture results in unrestricted flow of gas, forcing the plate away from the magnet. The plate sits firmly against the seat, immediately restricting gas flow to less than 5 SCFH (bypass flow).

PART NO.	UPC	DESCRIPTION	LENGTH	QTY	LBS
1/2" ID (5/8" OD) - MIP x MIP					CSSC
CSSC11E-12	026613143002	3/4" MIP (1/2" FIP Tap) EFV x 3/4" MIP (1/2" FIP Tap)	12"	25	22.0
CSSC11E-18	026613143019	3/4" MIP (1/2" FIP Tap) EFV x 3/4" MIP (1/2" FIP Tap)	18"	25	24.0
CSSC11E-24	026613143026	3/4" MIP (1/2" FIP Tap) EFV x 3/4" MIP (1/2" FIP Tap)	24"	25	26.0
CSSC11E-30	026613143033	3/4" MIP (1/2" FIP Tap) EFV x 3/4" MIP (1/2" FIP Tap)	30"	25	28.0
CSSC11E-36	026613119403	3/4" MIP (1/2" FIP Tap) EFV x 3/4" MIP (1/2" FIP Tap)	36"	25	27.8
CSSC11E-48	026613119410	3/4" MIP (1/2" FIP Tap) EFV x 3/4" MIP (1/2" FIP Tap)	48"	25	32.0
CSSC11E-60	026613126579	3/4" MIP (1/2" FIP Tap) EFV x 3/4" MIP (1/2" FIP Tap)	60"	12	17.8
CSSC11E-72	026613126586	3/4" MIP (1/2" FIP Tap) EFV x 3/4" MIP (1/2" FIP Tap)	72"	12	19.6
CSSC14E-12	026613143040	3/4" MIP (1/2" FIP Tap) EFV x 1/2" MIP	12"	25	19.0
CSSC14E-18	026613143057	3/4" MIP (1/2" FIP Tap) EFV x 1/2" MIP	18"	25	22.0
CSSC14E-24	026613143064	3/4" MIP (1/2" FIP Tap) EFV x 1/2" MIP	24"	25	24.0
CSSC14E-30	026613143071	3/4" MIP (1/2" FIP Tap) EFV x 1/2" MIP	30"	25	26.0
CSSC14E-36	026613119199	3/4" MIP (1/2" FIP Tap) EFV x 1/2" MIP	36"	25	26.3
CSSC14E-48	026613119205	3/4" MIP (1/2" FIP Tap) EFV x 1/2" MIP	48"	25	30.0
CSSC14E-60	026613143088	3/4" MIP (1/2" FIP Tap) EFV x 1/2" MIP	60"	12	17.0
CSSC14E-72	026613128801	3/4" MIP (1/2" FIP Tap) EFV x 1/2" MIP	72"	12	17.9
CSSC44E-12	026613143095	1/2" MIP EFV x 1/2" MIP	12"	25	19.0
CSSC44E-18	026613143101	1/2" MIP EFV x 1/2" MIP	18"	25	22.0
CSSC44E-24	026613143118	1/2" MIP EFV x 1/2" MIP	24"	25	24.0
CSSC44E-30		1/2" MIP EFV x 1/2" MIP	30"	25	26.0
CSSC44E-36	026613119212	1/2" MIP EFV x 1/2" MIP	36"	25	25.8
CSSC44E-48	026613119281	1/2" MIP EFV x 1/2" MIP	48"	25	29.5
CSSC44E-60	026613119618	1/2" MIP EFV x 1/2" MIP	60"	12	15.9
CSSC44E-72	026613126616	1/2" MIP EFV x 1/2" MIP	72"	12	18.7



1/2" ID (5/8" OD) - FIP x MIP					CSSC
CSSC21E-12	026613143125	3/4" FIP EFV x 3/4" MIP (1/2" FIP Tap)	12"	25	20.0
CSSC21E-18	026613143132	3/4" FIP EFV x 3/4" MIP (1/2" FIP Tap)	18"	25	22.0
CSSC21E-24	026613143149	3/4" FIP EFV x 3/4" MIP (1/2" FIP Tap)	24"	25	24.0
CSSC21E-30	026613143156	3/4" FIP EFV x 3/4" MIP (1/2" FIP Tap)	30"	25	26.0
CSSC21E-36	026613119427	3/4" FIP EFV x 3/4" MIP (1/2" FIP Tap)	36"	25	27.7
CSSC21E-48	026613119434	3/4" FIP EFV x 3/4" MIP (1/2" FIP Tap)	48"	25	31.3
CSSC21E-60	026613126609	3/4" FIP EFV x 3/4" MIP (1/2" FIP Tap)	60"	12	17.6
CSSC21E-72	026613126593	3/4" FIP EFV x 3/4" MIP (1/2" FIP Tap)	72"	12	19.4
CSSC24E-12	026613143163	3/4" FIP EFV x 1/2" MIP	12"	25	19.0
CSSC24E-18	026613143170	3/4" FIP EFV x 1/2" MIP	18"	25	21.0
CSSC24E-24	026613143187	3/4" FIP EFV x 1/2" MIP	24"	25	23.0
CSSC24E-30	026613143194	3/4" FIP EFV x 1/2" MIP	30"	25	25.0
CSSC24E-36	026613119557	3/4" FIP EFV x 1/2" MIP	36"	25	26.2
CSSC24E-48	026613119458	3/4" FIP EFV x 1/2" MIP	48"	25	29.8
CSSC24E-60	026613125909	3/4" FIP EFV x 1/2" MIP	60"	12	16.9
CSSC24E-72	026613143200	3/4" FIP EFV x 1/2" MIP	72"	12	19.0



COATED GAS CONNECTORS WITH EXCESS FLOW VALVE

Note: Connectors 12" - 48" available bulk 12/carton on request. Connectors also available in poly bags 5/carton. If your requirements are not listed, please request a special quotation from the nearest BrassCraft office. UPC code will be provided at time of shipment.

PART NO.	UPC	DESCRIPTION	LENGTH	QTY	LBS
1/2" ID (5/8" OD) - FIP x MIP (cont.)					CSSC
CSSC54E-12	026613143217	1/2" FIP (3/4" MIP) EFV x 1/2" MIP	12"	25	19.0
CSSC54E-18	026613143224	1/2" FIP (3/4" MIP) EFV x 1/2" MIP	18"	25	21.0
CSSC54E-24	026613143231	1/2" FIP (3/4" MIP) EFV x 1/2" MIP	24"	25	23.0
CSSC54E-30	026613143248	1/2" FIP (3/4" MIP) EFV x 1/2" MIP	30"	25	25.0
CSSC54E-36	026613119229	1/2" FIP (3/4" MIP) EFV x 1/2" MIP	36"	25	26.3
CSSC54E-48	026613119465	1/2" FIP (3/4" MIP) EFV x 1/2" MIP	48"	25	30.0
CSSC54E-60	026613125534	1/2" FIP (3/4" MIP) EFV x 1/2" MIP	60"	12	16.1
CSSC54E-72	026613143255	1/2" FIP (3/4" MIP) EFV x 1/2" MIP	72"	12	19.0



1/2" ID (5/8" OD) - FIP x FIP					CSSC
CSSC22E-12	026613143262	3/4" FIP EFV x 3/4" FIP	12"	25	19.0
CSSC22E-18	026613143279	3/4" FIP EFV x 3/4" FIP	18"	25	21.0
CSSC22E-24	026613143286	3/4" FIP EFV x 3/4" FIP	24"	25	23.0
CSSC22E-30	026613143293	3/4" FIP EFV x 3/4" FIP	30"	25	25.0
CSSC22E-36	026613119533	3/4" FIP EFV x 3/4" FIP	36"	25	25.9
CSSC22E-48	026613119441	3/4" FIP EFV x 3/4" FIP	48"	25	29.5
CSSC22E-60	026613119540	3/4" FIP EFV x 3/4" FIP	60"	12	15.7
CSSC22E-72	026613127729	3/4" FIP EFV x 3/4" FIP	72"	12	17.7



1/2" ID (5/8" OD) - FIP X FIP					CSSC
CSSC55E-12	026613143309	1/2" FIP (3/4" MIP) EFV x 1/2" FIP	12"	25	19.0
CSSC55E-18	026613143316	1/2" FIP (3/4" MIP) EFV x 1/2" FIP	18"	25	21.0
CSSC55E-24		1/2" FIP (3/4" MIP) EFV x 1/2" FIP	24"	25	23.0
CSSC55E-30	026613143323	1/2" FIP (3/4" MIP) EFV x 1/2" FIP	30"	25	25.0
CSSC55E-36	026613119236	1/2" FIP (3/4" MIP) EFV x 1/2" FIP	36"	25	25.8
CSSC55E-48	026613119298	1/2" FIP (3/4" MIP) EFV x 1/2" FIP	48"	25	29.4
CSSC55E-60	026613119625	1/2" FIP (3/4" MIP) EFV x 1/2" FIP	60"	12	15.9
CSSC55E-72	026613128405	1/2" FIP (3/4" MIP) EFV x 1/2" FIP	72"	12	17.6



1/2" ID (5/8" OD) - Female Flare x MIP					CSSC
CSSC91E-12	026613143330	5/8" OD Female Flare EFV x 3/4" MIP (1/2" FIP Tap)	12"	25	20.0
CSSC91E-18	026613143347	5/8" OD Female Flare EFV x 3/4" MIP (1/2" FIP Tap)	18"	25	22.0
CSSC91E-24	026613143354	5/8" OD Female Flare EFV x 3/4" MIP (1/2" FIP Tap)	24"	25	24.0
CSSC91E-30	026613143361	5/8" OD Female Flare EFV x 3/4" MIP (1/2" FIP Tap)	30"	25	26.0
CSSC91E-36	026613143378	5/8" OD Female Flare EFV x 3/4" MIP (1/2" FIP Tap)	36"	25	28.0
CSSC91E-48	026613143385	5/8" OD Female Flare EFV x 3/4" MIP (1/2" FIP Tap)	48"	25	31.0
CSSC91E-60	026613143392	5/8" OD Female Flare EFV x 3/4" MIP (1/2" FIP Tap)	60"	12	17.9
CSSC91E-72	026613143408	5/8" OD Female Flare EFV x 3/4" MIP (1/2" FIP Tap)	72"	12	20.0
CSSC94E-12	026613143422	5/8" OD Female Flare EFV x 1/2" MIP	12"	25	19.0
CSSC94E-18	026613143439	5/8" OD Female Flare EFV x 1/2" MIP	18"	25	22.0
CSSC94E-24	026613143446	5/8" OD Female Flare EFV x 1/2" MIP	24"	25	24.0
CSSC94E-30	026613143453	5/8" OD Female Flare EFV x 1/2" MIP	30"	25	26.0
CSSC94E-36	026613143460	5/8" OD Female Flare EFV x 1/2" MIP	36"	25	28.0
CSSC94E-48	026613143477	5/8" OD Female Flare EFV x 1/2" MIP	48"	25	32.0
CSSC94E-60	026613143484	5/8" OD Female Flare EFV x 1/2" MIP	60"	12	16.0



PART NO.	UPC	DESCRIPTION	LENGTH	QTY	LBS
1/2" ID (5/8" OD) - Female Flare x MIP (cont.)					CSSC
CSSC94E-72	026613143491	5/8" OD Female Flare EFV x 1/2" MIP	72"	12	19.0



1/2" ID (5/8" OD) - Gas Ball Valve w/Fem Flare x MIP					CSSC
CSSCJ4E-12 P20	026613143507	3/4" FIP Gas Ball Valve w/ 5/8" OD Female Flare EFV x 1/2" MIP	12"	20	31.0
CSSCJ4E-18 P20	026613143514	3/4" FIP Gas Ball Valve w/ 5/8" OD Female Flare EFV x 1/2" MIP	18"	20	23.0
CSSCJ4E-24 P20	026613128269	3/4" FIP Gas Ball Valve w/ 5/8" OD Female Flare EFV x 1/2" MIP	24"	20	31.1
CSSCJ4E-36 P20	026613143521	3/4" FIP Gas Ball Valve w/ 5/8" OD Female Flare EFV x 1/2" MIP	36"	20	39.0
CSSCJ4E-48 P20	026613134482	3/4" FIP Gas Ball Valve w/ 5/8" OD Female Flare EFV x 1/2" MIP	48"	20	36.8
CSSCJ4E-60 P12	026613143538	3/4" FIP Gas Ball Valve w/ 5/8" OD Female Flare EFV x 1/2" MIP	60"	12	23.0
CSSCJ4E-72 P12	026613143545	3/4" FIP Gas Ball Valve w/ 5/8" OD Female Flare EFV x 1/2" MIP	72"	12	26.0
CSSCK4E-12 P20	026613143552	1/2" FIP Gas Ball Valve w/ 5/8" OD Female Flare EFV x 1/2" MIP	12"	20	30.0
CSSCK4E-18 P20	026613143569	1/2" FIP Gas Ball Valve w/ 5/8" OD Female Flare EFV x 1/2" MIP	18"	20	33.0
CSSCK4E-24 P20	026613128283	1/2" FIP Gas Ball Valve w/ 5/8" OD Female Flare EFV x 1/2" MIP	24"	20	30.2
CSSCK4E-36 P20	026613128290	1/2" FIP Gas Ball Valve w/ 5/8" OD Female Flare EFV x 1/2" MIP	36"	20	32.9
CSSCK4E-48 P20	026613134543	1/2" FIP Gas Ball Valve w/ 5/8" OD Female Flare EFV x 1/2" MIP	48"	20	35.9
CSSCK4E-60 P12	026613143576	1/2" FIP Gas Ball Valve w/ 5/8" OD Female Flare EFV x 1/2" MIP	60"	12	26.0
CSSCK4E-72 P12	026613134536	1/2" FIP Gas Ball Valve w/ 5/8" OD Female Flare EFV x 1/2" MIP	72"	12	25.1



3/8" ID (1/2" OD) - MIP x MIP					CSSD
CSSD44E-12	026613126623	1/2" MIP EFV x 1/2" MIP (3/8" FIP Tap)	12"	25	14.4
CSSD44E-18	026613119472	1/2" MIP EFV x 1/2" MIP (3/8" FIP Tap)	18"	25	15.9
CSSD44E-24	026613119359	1/2" MIP EFV x 1/2" MIP (3/8" FIP Tap)	24"	25	17.3
CSSD44E-30	026613119564	1/2" MIP EFV x 1/2" MIP (3/8" FIP Tap)	30"	25	18.5
CSSD44E-36	026613119366	1/2" MIP EFV x 1/2" MIP (3/8" FIP Tap)	36"	25	20.1
CSSD44E-48	026613119571	1/2" MIP EFV x 1/2" MIP (3/8" FIP Tap)	48"	25	22.6
CSSD44E-60	026613126630	1/2" MIP EFV x 1/2" MIP (3/8" FIP Tap)	60"	12	13.4
CSSD44E-72	026613126647	1/2" MIP EFV x 1/2" MIP (3/8" FIP Tap)	72"	12	14.7



3/8" ID (1/2" OD) - MIP x FIP					CSSD
CSSD45E-12	026613143583	1/2" MIP EFV x 1/2" FIP	12"	25	15.0
CSSD45E-18	026613143590	1/2" MIP EFV x 1/2" FIP	18"	25	16.0
CSSD45E-24	026613143606	1/2" MIP EFV x 1/2" FIP	24"	25	17.0
CSSD45E-30	026613143613	1/2" MIP EFV x 1/2" FIP	30"	25	19.0
CSSD45E-36	026613143620	1/2" MIP EFV x 1/2" FIP	36"	25	22.0
CSSD45E-48	026613143637	1/2" MIP EFV x 1/2" FIP	48"	25	25.0



Note: Connectors 12" - 48" available bulk 12/carton on request. Connectors also available in poly bags 5/carton. If your requirements are not listed, please request a special quotation from the nearest BrassCraft office. UPC code will be provided at time of shipment.



PART NO.	UPC	DESCRIPTION	LENGTH	QTY	LBS
3/8" ID (1/2" OD) - MIP x FIP (cont.)					CSSD
CSSD45E-60	026613143644	1/2" MIP EFV x 1/2" FIP	60"	12	14.0
CSSD45E-72	026613143651	1/2" MIP EFV x 1/2" FIP	72"	12	15.0



3/8" ID (1/2" OD) - FIP X MIP					CSSD
CSSD54E-12	026613119588	1/2" FIP (3/4" MIP) EFV x 1/2" MIP (3/8" FIP Tap)	12"	25	15.0
CSSD54E-18	026613119489	1/2" FIP (3/4" MIP) EFV x 1/2" MIP (3/8" FIP Tap)	18"	25	16.3
CSSD54E-24	026613119373	1/2" FIP (3/4" MIP) EFV x 1/2" MIP (3/8" FIP Tap)	24"	25	17.4
CSSD54E-30	026613119595	1/2" FIP (3/4" MIP) EFV x 1/2" MIP (3/8" FIP Tap)	30"	25	19.2
CSSD54E-36	026613119380	1/2" FIP (3/4" MIP) EFV x 1/2" MIP (3/8" FIP Tap)	36"	25	20.3
CSSD54E-48	026613119397	1/2" FIP (3/4" MIP) EFV x 1/2" MIP (3/8" FIP Tap)	48"	25	23.0
CSSD54E-60	026613119601	1/2" FIP (3/4" MIP) EFV x 1/2" MIP (3/8" FIP Tap)	60"	12	12.6
CSSD54E-72	026613143668	1/2" FIP (3/4" MIP) EFV x 1/2" MIP (3/8" FIP Tap)	72"	12	14.0



3/8" ID (1/2" OD) - FIP x FIP					CSSD
CSSD55E-12	026613143675	1/2" FIP (3/4" MIP) EFV x 1/2" FIP	12"	25	15.0
CSSD55E-18	026613143682	1/2" FIP (3/4" MIP) EFV x 1/2" FIP	18"	25	16.0
CSSD55E-24	026613128412	1/2" FIP (3/4" MIP) EFV x 1/2" FIP	24"	25	17.3
CSSD55E-30	026613143699	1/2" FIP (3/4" MIP) EFV x 1/2" FIP	30"	25	17.0
CSSD55E-36	026613143705	1/2" FIP (3/4" MIP) EFV x 1/2" FIP	36"	25	20.0
CSSD55E-48	026613143712	1/2" FIP (3/4" MIP) EFV x 1/2" FIP	48"	25	23.0
CSSD55E-60	026613143729	1/2" FIP (3/4" MIP) EFV x 1/2" FIP	60"	12	12.0
CSSD55E-72	026613143736	1/2" FIP (3/4" MIP) EFV x 1/2" FIP	72"	12	14.0



3/8" ID (1/2" OD) - Gas Ball Valve w/Fem Flare x MIP					CSSD
CSSDK4E-12 P20	026613143743	1/2" FIP Gas Ball Valve w/ 1/2" OD Female Flare EFV x 1/2" MIP	12"	20	22.0
CSSDK4E-18 P20	026613128306	1/2" FIP Gas Ball Valve w/ 1/2" OD Female Flare EFV x 1/2" MIP	18"	20	21.7
CSSDK4E-24 P20	026613128276	1/2" FIP Gas Ball Valve w/ 1/2" OD Female Flare EFV x 1/2" MIP	24"	20	32.8
CSSDK4E-36 P20	026613128313	1/2" FIP Gas Ball Valve w/ 1/2" OD Female Flare EFV x 1/2" MIP	36"	20	25.1
CSSDK4E-48 P20	026613143750	1/2" FIP Gas Ball Valve w/ 1/2" OD Female Flare EFV x 1/2" MIP	48"	20	30.0
CSSDK4E-60 P12	026613143767	1/2" FIP Gas Ball Valve w/ 1/2" OD Female Flare EFV x 1/2" MIP	60"	12	18.0
CSSDK4E-72 P12	026613143774	1/2" FIP Gas Ball Valve w/ 1/2" OD Female Flare EFV x 1/2" MIP	72"	12	18.0



1/4" ID (3/8" OD) - MIP x MIP					CSSL
CSSL44E-12	026613128177	1/2" MIP (3/8" FIP Tap) EFV x 1/2" MIP (3/8" FIP Tap)	12"	25	12.3
CSSL44E-18	026613143781	1/2" MIP (3/8" FIP Tap) EFV x 1/2" MIP (3/8" FIP Tap)	18"	25	13.1
CSSL44E-24	026613126654	1/2" MIP (3/8" FIP Tap) EFV x 1/2" MIP (3/8" FIP Tap)	24"	25	15.2
CSSL44E-30	026613143798	1/2" MIP (3/8" FIP Tap) EFV x 1/2" MIP (3/8" FIP Tap)	30"	25	18.0
CSSL44E-36	026613126661	1/2" MIP (3/8" FIP Tap) EFV x 1/2" MIP (3/8" FIP Tap)	36"	25	16.6
CSSL44E-48	026613126678	1/2" MIP (3/8" FIP Tap) EFV x 1/2" MIP (3/8" FIP Tap)	48"	25	19.0
CSSL44E-60	026613128726	1/2" MIP (3/8" FIP Tap) EFV x 1/2" MIP (3/8" FIP Tap)	60"	12	10.9
CSSL44E-72	026613126685	1/2" MIP (3/8" FIP Tap) EFV x 1/2" MIP (3/8" FIP Tap)	72"	12	11.2

PART NO.	UPC	DESCRIPTION	LENGTH	QTY	LBS
1/4" ID (3/8" OD) - MIP x FIP					CSSL
CSSL48E-12	026613143804	1/2" MIP (3/8" FIP Tap) EFV x 3/8" FIP	12"	25	11.0
CSSL48E-18	026613143811	1/2" MIP (3/8" FIP Tap) EFV x 3/8" FIP	18"	25	12.0
CSSL48E-24	026613127644	1/2" MIP (3/8" FIP Tap) EFV x 3/8" FIP	24"	25	13.9
CSSL48E-30	026613143828	1/2" MIP (3/8" FIP Tap) EFV x 3/8" FIP	30"	25	15.0
CSSL48E-36	026613143835	1/2" MIP (3/8" FIP Tap) EFV x 3/8" FIP	36"	25	16.0
CSSL48E-48	026613125725	1/2" MIP (3/8" FIP Tap) EFV x 3/8" FIP	48"	25	17.6
CSSL48E-60	026613143842	1/2" MIP (3/8" FIP Tap) EFV x 3/8" FIP	60"	12	10.0
CSSL48E-72	026613143859	1/2" MIP (3/8" FIP Tap) EFV x 3/8" FIP	72"	12	12.0



1/4" ID (3/8" OD) - FIP x MIP					CSSL
CSSL54E-12	026613143866	1/2" FIP (3/4" MIP) EFV x 1/2" MIP (3/8" FIP Tap)	12"	25	13.0
CSSL54E-18	026613143873	1/2" FIP (3/4" MIP) EFV x 1/2" MIP (3/8" FIP Tap)	18"	25	14.0
CSSL54E-24	026613143880	1/2" FIP (3/4" MIP) EFV x 1/2" MIP (3/8" FIP Tap)	24"	25	15.0
CSSL54E-30	026613143897	1/2" FIP (3/4" MIP) EFV x 1/2" MIP (3/8" FIP Tap)	30"	25	18.0
CSSL54E-36	026613143903	1/2" FIP (3/4" MIP) EFV x 1/2" MIP (3/8" FIP Tap)	36"	25	17.0
CSSL54E-48	026613143910	1/2" FIP (3/4" MIP) EFV x 1/2" MIP (3/8" FIP Tap)	48"	25	22.0
CSSL54E-60	026613143927	1/2" FIP (3/4" MIP) EFV x 1/2" MIP (3/8" FIP Tap)	60"	12	11.0
CSSL54E-72	026613143934	1/2" FIP (3/4" MIP) EFV x 1/2" MIP (3/8" FIP Tap)	72"	12	12.0
CSSL57E-12	026613143941	1/2" FIP (3/4" MIP) EFV x 3/8" MIP	12"	25	13.0
CSSL57E-18	026613143958	1/2" FIP (3/4" MIP) EFV x 3/8" MIP	18"	25	14.0
CSSL57E-24	026613125695	1/2" FIP (3/4" MIP) EFV x 3/8" MIP	24"	25	15.2
CSSL57E-30	026613143965	1/2" FIP (3/4" MIP) EFV x 3/8" MIP	30"	25	16.0
CSSL57E-36	026613126395	1/2" FIP (3/4" MIP) EFV x 3/8" MIP	36"	25	16.6
CSSL57E-48	026613125510	1/2" FIP (3/4" MIP) EFV x 3/8" MIP	48"	25	18.9
CSSL57E-60	026613143972	1/2" FIP (3/4" MIP) EFV x 3/8" MIP	60"	12	17.0
CSSL57E-72	026613143989	1/2" FIP (3/4" MIP) EFV x 3/8" MIP	72"	12	13.0
CSSL87E-12	026613143996	3/8" FIP (1/2" MIP) EFV x 3/8" MIP	12"	25	11.0
CSSL87E-18	026613144009	3/8" FIP (1/2" MIP) EFV x 3/8" MIP	18"	25	12.0
CSSL87E-24	026613144016	3/8" FIP (1/2" MIP) EFV x 3/8" MIP	24"	25	12.0
CSSL87E-30	026613144023	3/8" FIP (1/2" MIP) EFV x 3/8" MIP	30"	25	15.0
CSSL87E-36	026613144030	3/8" FIP (1/2" MIP) EFV x 3/8" MIP	36"	25	16.0
CSSL87E-48	026613126326	3/8" FIP (1/2" MIP) EFV x 3/8" MIP	48"	25	18.2
CSSL87E-60	026613130439	3/8" FIP (1/2" MIP) EFV x 3/8" MIP	60"	12	10.5
CSSL87E-72	026613144047	3/8" FIP (1/2" MIP) EFV x 3/8" MIP	72"	12	12.0



1/4" ID (3/8" OD) - FIP x FIP					CSSL
CSSL88E-12	026613120300	3/8" FIP (1/2" MIP) EFV x 3/8" FIP	12"	25	10.5
CSSL88E-18	026613120317	3/8" FIP (1/2" MIP) EFV x 3/8" FIP	18"	25	11.5
CSSL88E-24	026613120324	3/8" FIP (1/2" MIP) EFV x 3/8" FIP	24"	25	13.9
CSSL88E-30	026613144054	3/8" FIP (1/2" MIP) EFV x 3/8" FIP	30"	25	15.0
CSSL88E-36	026613144061	3/8" FIP (1/2" MIP) EFV x 3/8" FIP	36"	25	16.0
CSSL88E-48	026613126333	3/8" FIP (1/2" MIP) EFV x 3/8" FIP	48"	25	17.6
CSSL88E-60	026613144078	3/8" FIP (1/2" MIP) EFV x 3/8" FIP	60"	12	10.0
CSSL88E-72	026613144085	3/8" FIP (1/2" MIP) EFV x 3/8" FIP	72"	12	12.0



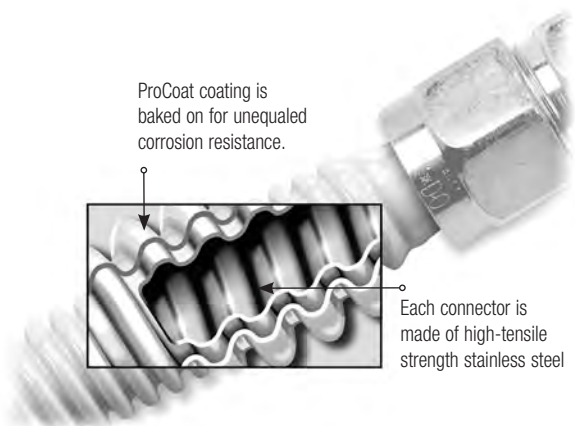
Note: Connectors 12" - 48" available bulk 12/carton on request. Connectors also available in poly bags 5/carton. If your requirements are not listed, please request a special quotation from the nearest BrassCraft office. UPC code will be provided at time of shipment.

ProCoat®

Coated Stainless Steel Gas Connectors



The ProCoat coating helps protect the stainless steel connector from corrosion due to prolonged exposure to harsh chemicals found in common household cleaning, plumbing repair and building products (ammonia, chlorine, solder flux and muriatic acid). Designed for indoor and outdoor use, ProCoat is resistant to the harsh effects of UV rays and salt.



- Superior Corrosion Resistance
- Greater Strength & Flexibility
- Approved for Indoor and Outdoor Use
- 100% Leak Tested
- CSA Certified

**Available
in Black**

See pages 23-24



PART NO.	UPC	DESCRIPTION	LENGTH	QTY	LBS
3/4" ID (7/8" OD) - MIP x MIP					CSSB
CSSB11-12	026613134949	3/4" MIP (1/2" FIP Tap) x 3/4" MIP (1/2" FIP Tap)	12"	10	10.8
CSSB11-18	026613134956	3/4" MIP (1/2" FIP Tap) x 3/4" MIP (1/2" FIP Tap)	18"	10	12.1
CSSB11-24	026613127682	3/4" MIP (1/2" FIP Tap) x 3/4" MIP (1/2" FIP Tap)	24"	10	13.0
CSSB11-30	026613134796	3/4" MIP (1/2" FIP Tap) x 3/4" MIP (1/2" FIP Tap)	30"	10	14.0
CSSB11-36	026613122809	3/4" MIP (1/2" FIP Tap) x 3/4" MIP (1/2" FIP Tap)	36"	10	14.2
CSSB11-48	026613130248	3/4" MIP (1/2" FIP Tap) x 3/4" MIP (1/2" FIP Tap)	48"	5	9.2
CSSB11-60	026613127699	3/4" MIP (1/2" FIP Tap) x 3/4" MIP (1/2" FIP Tap)	60"	5	10.6
3/4" ID (7/8" OD) - FIP x MIP					CSSB
CSSB1412-12	026613134642	1" FIP x 1" MIP (3/4" FIP Tap)	12"	10	12.4
CSSB1412-18	026613134635	1" FIP x 1" MIP (3/4" FIP Tap)	18"	10	13.7
CSSB1412-24	026613118482	1" FIP x 1" MIP (3/4" FIP Tap)	24"	10	14.8
CSSB1412-36	026613118499	1" FIP x 1" MIP (3/4" FIP Tap)	36"	10	15.9
CSSB1412-48	026613118505	1" FIP x 1" MIP (3/4" FIP Tap)	48"	5	9.3
CSSB1412-60	026613118420	1" FIP x 1" MIP (3/4" FIP Tap)	60"	5	10.4
CSSB21-12	026613134871	3/4" FIP x 3/4" MIP (1/2" FIP Tap)	12"	10	9.8
CSSB21-18	026613134888	3/4" FIP x 3/4" MIP (1/2" FIP Tap)	18"	10	11.2
CSSB21-24	026613118413	3/4" FIP x 3/4" MIP (1/2" FIP Tap)	24"	10	12.2
CSSB21-30	026613118437	3/4" FIP x 3/4" MIP (1/2" FIP Tap)	30"	10	13.2
CSSB21-36	026613118444	3/4" FIP x 3/4" MIP (1/2" FIP Tap)	36"	10	13.4
CSSB21-48	026613118451	3/4" FIP x 3/4" MIP (1/2" FIP Tap)	48"	5	8.8
CSSB21-60	026613118468	3/4" FIP x 3/4" MIP (1/2" FIP Tap)	60"	5	10.2



PART NO.	UPC	DESCRIPTION	LENGTH	QTY	LBS		
3/4" ID (7/8" OD) - FIP x MIP (cont.)							
CSSB21-72	026613118475	3/4" FIP x 3/4" MIP (1/2" FIP Tap)	72"	5	9.6		
3/4" ID (7/8" OD) - FIP x FIP							
CSSB22-12	026613134901	3/4" FIP x 3/4" FIP	12"	10	9.0		
CSSB22-18	026613134895	3/4" FIP x 3/4" FIP	18"	10	10.4		
CSSB22-24	026613119304	3/4" FIP x 3/4" FIP	24"	10	11.4		
CSSB22-30	026613133928	3/4" FIP x 3/4" FIP	30"	10	12.4		
CSSB22-36	026613119311	3/4" FIP x 3/4" FIP	36"	10	12.6		
CSSB22-48	026613119328	3/4" FIP x 3/4" FIP	48"	5	8.4		
CSSB22-60	026613126319	3/4" FIP x 3/4" FIP	60"	5	9.8		
CSSB22-72	026613120492	3/4" FIP x 3/4" FIP	72"	5	9.2		
1/2" ID (5/8" OD) - MIP x MIP							
CSSC11-12	026613119830	3/4" MIP (1/2" FIP Tap) x 3/4" MIP (1/2" FIP Tap)	12"	25	20.0		
CSSC11-18	026613112572	3/4" MIP (1/2" FIP Tap) x 3/4" MIP (1/2" FIP Tap)	18"	25	22.4		
CSSC11-24	026613112589	3/4" MIP (1/2" FIP Tap) x 3/4" MIP (1/2" FIP Tap)	24"	25	24.3		
CSSC11-30	026613118017	3/4" MIP (1/2" FIP Tap) x 3/4" MIP (1/2" FIP Tap)	30"	25	26.2		
CSSC11-36	026613112596	3/4" MIP (1/2" FIP Tap) x 3/4" MIP (1/2" FIP Tap)	36"	25	26.9		
CSSC11-48	026613112619	3/4" MIP (1/2" FIP Tap) x 3/4" MIP (1/2" FIP Tap)	48"	25	30.5		
CSSC11-60	026613112626	3/4" MIP (1/2" FIP Tap) x 3/4" MIP (1/2" FIP Tap)	60"	12	17.4		
CSSC11-72	026613112633	3/4" MIP (1/2" FIP Tap) x 3/4" MIP (1/2" FIP Tap)	72"	12	18.2		
CSSC14-12	026613117706	3/4" MIP (1/2" FIP Tap) x 1/2" MIP	12"	25	18.5		
CSSC14-18	026613112640	3/4" MIP (1/2" FIP Tap) x 1/2" MIP	18"	25	21.0		
CSSC14-24	026613112657	3/4" MIP (1/2" FIP Tap) x 1/2" MIP	24"	25	22.9		
CSSC14-30	026613112664	3/4" MIP (1/2" FIP Tap) x 1/2" MIP	30"	25	24.8		
CSSC14-36	026613112398	3/4" MIP (1/2" FIP Tap) x 1/2" MIP	36"	25	25.5		
CSSC14-48	026613112404	3/4" MIP (1/2" FIP Tap) x 1/2" MIP	48"	25	29.1		
CSSC14-60	026613112671	3/4" MIP (1/2" FIP Tap) x 1/2" MIP	60"	12	16.7		
CSSC14-72	026613112688	3/4" MIP (1/2" FIP Tap) x 1/2" MIP	72"	12	17.5		
CSSC44-12	026613112947	1/2" MIP x 1/2" MIP	12"	25	17.0		
CSSC44-18	026613112954	1/2" MIP x 1/2" MIP	18"	25	19.5		
CSSC44-24	026613112381	1/2" MIP x 1/2" MIP	24"	25	21.4		
CSSC44-30	026613112985	1/2" MIP x 1/2" MIP	30"	25	23.3		
CSSC44-36	026613112367	1/2" MIP x 1/2" MIP	36"	25	24.0		
CSSC44-48	026613112374	1/2" MIP x 1/2" MIP	48"	25	27.6		
CSSC44-60	026613113012	1/2" MIP x 1/2" MIP	60"	12	14.9		
CSSC44-72	026613113029	1/2" MIP x 1/2" MIP	72"	12	16.8		
1/2" ID (5/8" OD) - MIP x FIP							
CSSC15-12	026613128115	3/4" MIP (1/2" FIP Tap) x 1/2" FIP	12"	25	18.0		
CSSC15-18	026613121055	3/4" MIP (1/2" FIP Tap) x 1/2" FIP	18"	25	20.4		
CSSC15-24	026613118802	3/4" MIP (1/2" FIP Tap) x 1/2" FIP	24"	25	22.3		
CSSC15-30	026613128580	3/4" MIP (1/2" FIP Tap) x 1/2" FIP	30"	25	24.3		
CSSC15-36	026613119335	3/4" MIP (1/2" FIP Tap) x 1/2" FIP	36"	25	24.9		
CSSC15-48	026613118819	3/4" MIP (1/2" FIP Tap) x 1/2" FIP	48"	25	28.6		

Note: Connectors 12" - 48" available bulk 12/carton on request. Connectors also available in poly bags 5/carton. If your requirements are not listed, please request a special quotation from the nearest BrassCraft office. UPC code will be provided at time of shipment.



PART NO.	UPC	DESCRIPTION	LENGTH	QTY	LBS
1/2" ID (5/8" OD) - MIP x FIP (cont.)					CSSC
CSSC15-60	026613118826	3/4" MIP (1/2" FIP Tap) x 1/2" FIP	60"	12	16.5
CSSC15-72	026613119342	3/4" MIP (1/2" FIP Tap) x 1/2" FIP	72"	12	17.2



1/2" ID (5/8" OD) - FIP x MIP					CSSC
CSSC21-12	026613112725	3/4" FIP x 3/4" MIP (1/2" FIP Tap)	12"	25	18.5
CSSC21-18	026613112718	3/4" FIP x 3/4" MIP (1/2" FIP Tap)	18"	25	21.0
CSSC21-24	026613112732	3/4" FIP x 3/4" MIP (1/2" FIP Tap)	24"	25	22.9
CSSC21-30	026613117942	3/4" FIP x 3/4" MIP (1/2" FIP Tap)	30"	25	24.8
CSSC21-36	026613112749	3/4" FIP x 3/4" MIP (1/2" FIP Tap)	36"	25	25.4
CSSC21-48	026613112756	3/4" FIP x 3/4" MIP (1/2" FIP Tap)	48"	25	29.1
CSSC21-60	026613112763	3/4" FIP x 3/4" MIP (1/2" FIP Tap)	60"	12	16.7
CSSC21-72	026613118833	3/4" FIP x 3/4" MIP (1/2" FIP Tap)	72"	12	17.5
CSSC24-12	026613121246	3/4" FIP x 1/2" MIP	12"	25	17.1
CSSC24-18	026613120713	3/4" FIP x 1/2" MIP	18"	25	19.5
CSSC24-24	026613112824	3/4" FIP x 1/2" MIP	24"	25	21.4
CSSC24-30	026613121710	3/4" FIP x 1/2" MIP	30"	25	23.3
CSSC24-36	026613112831	3/4" FIP x 1/2" MIP	36"	25	24.0
CSSC24-48	026613112848	3/4" FIP x 1/2" MIP	48"	25	27.6
CSSC24-60	026613112855	3/4" FIP x 1/2" MIP	60"	12	16.0
CSSC24-72	026613112862	3/4" FIP x 1/2" MIP	72"	12	16.8
CSSC54-12	026613113067	1/2" FIP x 1/2" MIP (3/8" FIP Tap)	12"	25	16.5
CSSC54-18	026613113050	1/2" FIP x 1/2" MIP (3/8" FIP Tap)	18"	25	19.0
CSSC54-24	026613113043	1/2" FIP x 1/2" MIP (3/8" FIP Tap)	24"	25	20.9
CSSC54-30	026613113036	1/2" FIP x 1/2" MIP (3/8" FIP Tap)	30"	25	22.8
CSSC54-36	026613112411	1/2" FIP x 1/2" MIP (3/8" FIP Tap)	36"	25	23.5
CSSC54-48	026613113074	1/2" FIP x 1/2" MIP (3/8" FIP Tap)	48"	25	27.1
CSSC54-60	026613113081	1/2" FIP x 1/2" MIP (3/8" FIP Tap)	60"	12	15.8
CSSC54-72	026613117959	1/2" FIP x 1/2" MIP (3/8" FIP Tap)	72"	12	16.5



1/2" ID (5/8" OD) - FIP x FIP					CSSC
CSSC22-12	026613119021	3/4" FIP x 3/4" FIP	12"	25	17.1
CSSC22-18	026613118680	3/4" FIP x 3/4" FIP	18"	25	19.5
CSSC22-24	026613112770	3/4" FIP x 3/4" FIP	24"	25	21.4
CSSC22-30	026613121086	3/4" FIP x 3/4" FIP	30"	25	23.3
CSSC22-36	026613112787	3/4" FIP x 3/4" FIP	36"	25	24.0
CSSC22-48	026613112794	3/4" FIP x 3/4" FIP	48"	25	27.6
CSSC22-60	026613112800	3/4" FIP x 3/4" FIP	60"	12	16.0
CSSC22-72	026613112817	3/4" FIP x 3/4" FIP	72"	12	16.8
CSSC25-12	026613122014	3/4" FIP x 1/2" FIP	12"	25	16.5
CSSC25-18	026613121154	3/4" FIP x 1/2" FIP	18"	25	19.0
CSSC25-24	026613118734	3/4" FIP x 1/2" FIP	24"	25	20.9
CSSC25-30	026613124216	3/4" FIP x 1/2" FIP	30"	25	22.8
CSSC25-36	026613112879	3/4" FIP x 1/2" FIP	36"	25	23.5
CSSC25-48	026613112886	3/4" FIP x 1/2" FIP	48"	25	27.1
CSSC25-60	026613112893	3/4" FIP x 1/2" FIP	60"	12	15.8

PART NO.	UPC	DESCRIPTION	LENGTH	QTY	LBS
1/2" ID (5/8" OD) - FIP x FIP (cont.)					CSSC
CSSC25-72	026613119007	3/4" FIP x 1/2" FIP	72"	12	16.5
CSSC55-12	026613113128	1/2" FIP x 1/2" FIP	12"	25	16.0
CSSC55-18	026613113111	1/2" FIP x 1/2" FIP	18"	25	18.5
CSSC55-24	026613113104	1/2" FIP x 1/2" FIP	24"	25	20.4
CSSC55-30	026613113098	1/2" FIP x 1/2" FIP	30"	25	22.3
CSSC55-36	026613112428	1/2" FIP x 1/2" FIP	36"	25	22.9
CSSC55-48	026613113135	1/2" FIP x 1/2" FIP	48"	25	26.5
CSSC55-60	026613113159	1/2" FIP x 1/2" FIP	60"	12	15.5
CSSC55-72	026613113166	1/2" FIP x 1/2" FIP	72"	12	16.3
CSSC23-12	026613127866	3/4" FIP x 3/4" FIP Elbow	12"	25	20.4
CSSC23-24	026613117980	3/4" FIP x 3/4" FIP Elbow	24"	25	24.8
CSSC23-30	026613118055	3/4" FIP x 3/4" FIP Elbow	30"	25	25.5
CSSC23-36	026613121093	3/4" FIP x 3/4" FIP Elbow	36"	25	27.4
CSSC23-48	026613120768	3/4" FIP x 3/4" FIP Elbow	48"	25	31.0
CSSC23-60	026613121147	3/4" FIP x 3/4" FIP Elbow	60"	12	17.6
CSSC23-72	026613117270	3/4" FIP x 3/4" FIP Elbow	72"	12	18.4



1/2" ID (5/8" OD) - MIP x Gas Ball Valve					CSSC
CSSC1J-12	026613128214	3/4" MIP (1/2" FIP Tap) x 3/4" FIP Gas Ball Valve	12"	20	22.3
CSSC1J-18	026613121185	3/4" MIP (1/2" FIP Tap) x 3/4" FIP Gas Ball Valve	18"	20	23.7
CSSC1J-24	026613112695	3/4" MIP (1/2" FIP Tap) x 3/4" FIP Gas Ball Valve	24"	20	25.1
CSSC1J-30	026613121383	3/4" MIP (1/2" FIP Tap) x 3/4" FIP Gas Ball Valve	30"	20	27.7
CSSC1J-36	026613112701	3/4" MIP (1/2" FIP Tap) x 3/4" FIP Gas Ball Valve	36"	20	29.1
CSSC1J-48	026613121192	3/4" MIP (1/2" FIP Tap) x 3/4" FIP Gas Ball Valve	48"	20	32.3
CSSC1J-60	026613121697	3/4" MIP (1/2" FIP Tap) x 3/4" FIP Gas Ball Valve	60"	12	21.2
CSSC1J-72	026613121703	3/4" MIP (1/2" FIP Tap) x 3/4" FIP Gas Ball Valve	72"	12	22.0
CSSC4J-12	026613121390	1/2" MIP x 3/4" FIP Gas Ball Valve	12"	20	21.1
CSSC4J-18	026613113197	1/2" MIP x 3/4" FIP Gas Ball Valve	18"	20	22.5
CSSC4J-24	026613113203	1/2" MIP x 3/4" FIP Gas Ball Valve	24"	20	23.9
CSSC4J-30	026613121307	1/2" MIP x 3/4" FIP Gas Ball Valve	30"	20	26.3
CSSC4J-36	026613113210	1/2" MIP x 3/4" FIP Gas Ball Valve	36"	20	27.9
CSSC4J-48	026613113227	1/2" MIP x 3/4" FIP Gas Ball Valve	48"	20	31.2
CSSC4J-60	026613120409	1/2" MIP x 3/4" FIP Gas Ball Valve	60"	12	20.5
CSSC4J-72	026613121406	1/2" MIP x 3/4" FIP Gas Ball Valve	72"	12	21.3
CSSC4K-12	026613121109	1/2" MIP x 1/2" FIP Gas Ball Valve	12"	20	20.2
CSSC4K-18	026613113234	1/2" MIP x 1/2" FIP Gas Ball Valve	18"	20	21.6
CSSC4K-24	026613113241	1/2" MIP x 1/2" FIP Gas Ball Valve	24"	20	23.0
CSSC4K-30	026613120263	1/2" MIP x 1/2" FIP Gas Ball Valve	30"	20	25.4
CSSC4K-36	026613113258	1/2" MIP x 1/2" FIP Gas Ball Valve	36"	20	27.0
CSSC4K-48	026613113265	1/2" MIP x 1/2" FIP Gas Ball Valve	48"	20	30.2



Note: Connectors 12" - 48" available bulk 12/carton on request. Connectors also available in poly bags 5/carton. If your requirements are not listed, please request a special quotation from the nearest BrassCraft office. UPC code will be provided at time of shipment.

PART NO.	UPC	DESCRIPTION	LENGTH	QTY	LBS
1/2" ID (5/8" OD) - MIP x Gas Ball Valve, Angle					CSSC
CSSC1P-12	026613121673	3/4" MIP (1/2" FIP Tap) x 3/4" FIP Gas Ball Valve - Angle	12"	20	22.7
CSSC1P-18	026613121680	3/4" MIP (1/2" FIP Tap) x 3/4" FIP Gas Ball Valve - Angle	18"	20	25.0
CSSC1P-24	026613121208	3/4" MIP (1/2" FIP Tap) x 3/4" FIP Gas Ball Valve - Angle	24"	20	25.5
CSSC1P-30	026613121215	3/4" MIP (1/2" FIP Tap) x 3/4" FIP Gas Ball Valve - Angle	30"	20	28.2
CSSC1P-36	026613118604	3/4" MIP (1/2" FIP Tap) x 3/4" FIP Gas Ball Valve - Angle	36"	20	29.6
CSSC1P-48	026613120126	3/4" MIP (1/2" FIP Tap) x 3/4" FIP Gas Ball Valve - Angle	48"	20	32.8
CSSC1P-60	026613121222	3/4" MIP (1/2" FIP Tap) x 3/4" FIP Gas Ball Valve - Angle	60"	12	21.5
CSSC4P-12	026613121895	1/2" MIP x 3/4" FIP Gas Ball Valve - Angle	12"	20	21.6
CSSC4P-18	026613121314	1/2" MIP x 3/4" FIP Gas Ball Valve - Angle	18"	20	23.0
CSSC4P-24	026613121338	1/2" MIP x 3/4" FIP Gas Ball Valve - Angle	24"	20	24.4
CSSC4P-30	026613121345	1/2" MIP x 3/4" FIP Gas Ball Valve - Angle	30"	20	26.8
CSSC4P-36	026613113272	1/2" MIP x 3/4" FIP Gas Ball Valve - Angle	36"	20	28.4
CSSC4P-48	026613113289	1/2" MIP x 3/4" FIP Gas Ball Valve - Angle	48"	20	31.6
CSSC4P-60	026613121352	1/2" MIP x 3/4" FIP Gas Ball Valve - Angle	60"	12	20.8
CSSC4P-72	026613121321	1/2" MIP x 3/4" FIP Gas Ball Valve - Angle	72"	12	21.5



1/2" ID (5/8" OD) - FIP x Gas Ball Valve					CSSC
CSSC2J-12	026613121253	3/4" FIP x 3/4" FIP Gas Ball Valve	12"	20	21.1
CSSC2J-18	026613112909	3/4" FIP x 3/4" FIP Gas Ball Valve	18"	20	22.5
CSSC2J-24	026613112916	3/4" FIP x 3/4" FIP Gas Ball Valve	24"	20	23.9
CSSC2J-30	026613121260	3/4" FIP x 3/4" FIP Gas Ball Valve	30"	20	26.3
CSSC2J-36	026613112923	3/4" FIP x 3/4" FIP Gas Ball Valve	36"	20	27.9
CSSC2J-48	026613112930	3/4" FIP x 3/4" FIP Gas Ball Valve	48"	20	31.2
CSSC2J-60	026613120720	3/4" FIP x 3/4" FIP Gas Ball Valve	60"	12	20.5
CSSC2J-72	026613121277	3/4" FIP x 3/4" FIP Gas Ball Valve	72"	12	21.3



1/2" ID (5/8" OD) - FIP x Gas Ball Valve, Angle					CSSC
CSSC2P-12	026613121888	3/4" FIP x 3/4" FIP Gas Ball Valve - Angle	12"	20	22.0
CSSC2P-18	026613119496	3/4" FIP x 3/4" FIP Gas Ball Valve - Angle	18"	20	23.0
CSSC2P-24	026613119502	3/4" FIP x 3/4" FIP Gas Ball Valve - Angle	24"	20	24.4
CSSC2P-30	026613144092	3/4" FIP x 3/4" FIP Gas Ball Valve - Angle	30"	20	27.1
CSSC2P-36	026613119076	3/4" FIP x 3/4" FIP Gas Ball Valve - Angle	36"	20	28.4
CSSC2P-48	026613121284	3/4" FIP x 3/4" FIP Gas Ball Valve - Angle	48"	20	31.6
CSSC2P-60	026613119519	3/4" FIP x 3/4" FIP Gas Ball Valve - Angle	60"	12	20.8



1/2" ID (5/8" OD) - Nut x Nut (Not CSA Certified)					CSSC
CSSCNN-10N	026613121796	5/8" OD (15/16-16 Thread) Flare Nuts, Both Ends	10"	25	7.6
CSSCNN-16N	026613118345	5/8" OD (15/16-16 Thread) Flare Nuts, Both Ends	16"	25	10.0
CSSCNN-22N	026613113296	5/8" OD (15/16-16 Thread) Flare Nuts, Both Ends	22"	25	11.9
CSSCNN-28N	026613118185	5/8" OD (15/16-16 Thread) Flare Nuts, Both Ends	28"	25	13.9
CSSCNN-34N	026613113302	5/8" OD (15/16-16 Thread) Flare Nuts, Both Ends	34"	25	14.5
CSSCNN-46N	026613113319	5/8" OD (15/16-16 Thread) Flare Nuts, Both Ends	46"	25	18.2
CSSCNN-58N	026613117720	5/8" OD (15/16-16 Thread) Flare Nuts, Both Ends	58"	12	11.5
CSSCNN-70N	026613117737	5/8" OD (15/16-16 Thread) Flare Nuts, Both Ends	70"	12	12.2



PART NO.	UPC	DESCRIPTION	LENGTH	QTY	LBS
3/8" ID (1/2" OD) - MIP x MIP					CSSD
CSSD44-12	026613113333	1/2" MIP (3/8" FIP Tap) x 1/2" MIP (3/8" FIP Tap)	12"	25	12.5
CSSD44-18	026613112466	1/2" MIP (3/8" FIP Tap) x 1/2" MIP (3/8" FIP Tap)	18"	25	14.4
CSSD44-24	026613112336	1/2" MIP (3/8" FIP Tap) x 1/2" MIP (3/8" FIP Tap)	24"	25	15.9
CSSD44-30	026613112343	1/2" MIP (3/8" FIP Tap) x 1/2" MIP (3/8" FIP Tap)	30"	25	17.5
CSSD44-36	026613112329	1/2" MIP (3/8" FIP Tap) x 1/2" MIP (3/8" FIP Tap)	36"	25	18.2
CSSD44-48	026613112350	1/2" MIP (3/8" FIP Tap) x 1/2" MIP (3/8" FIP Tap)	48"	25	22.0
CSSD44-60	026613113340	1/2" MIP (3/8" FIP Tap) x 1/2" MIP (3/8" FIP Tap)	60"	12	12.3
CSSD44-72	026613113357	1/2" MIP (3/8" FIP Tap) x 1/2" MIP (3/8" FIP Tap)	72"	12	12.9
CSSD47-12	026613126005	1/2" MIP (3/8" FIP Tap) x 3/8" MIP	12"	25	11.6
CSSD47-18	026613131566	1/2" MIP (3/8" FIP Tap) x 3/8" MIP	18"	25	13.5
CSSD47-24	026613128436	1/2" MIP (3/8" FIP Tap) x 3/8" MIP	24"	25	15.0
CSSD47-30	026613134154	1/2" MIP (3/8" FIP Tap) x 3/8" MIP	30"	25	16.7
CSSD47-36	026613130217	1/2" MIP (3/8" FIP Tap) x 3/8" MIP	36"	25	17.3
CSSD47-48	026613118529	1/2" MIP (3/8" FIP Tap) x 3/8" MIP	48"	25	21.1
CSSD47-60	026613130873	1/2" MIP (3/8" FIP Tap) x 3/8" MIP	60"	12	11.8
CSSD47-72	026613144108	1/2" MIP (3/8" FIP Tap) x 3/8" MIP	72"	12	12.0
CSSD77-12	026613121604	3/8" MIP x 3/8" MIP	12"	25	10.7
CSSD77-18	026613127859	3/8" MIP x 3/8" MIP	18"	25	12.6
CSSD77-24	026613120829	3/8" MIP x 3/8" MIP	24"	25	14.1
CSSD77-30	026613130279	3/8" MIP x 3/8" MIP	30"	25	15.8
CSSD77-36	026613120393	3/8" MIP x 3/8" MIP	36"	25	16.4
CSSD77-48	026613118987	3/8" MIP x 3/8" MIP	48"	25	20.2
CSSD77-60	026613144115	3/8" MIP x 3/8" MIP	60"	12	11.0
CSSD77-72	026613144122	3/8" MIP x 3/8" MIP	72"	12	13.0



3/8" ID (1/2" OD) - FIP x MIP					CSSD
CSSD54-12	026613112473	1/2" FIP x 1/2" MIP (3/8" FIP Tap)	12"	25	12.0
CSSD54-18	026613112480	1/2" FIP x 1/2" MIP (3/8" FIP Tap)	18"	25	13.9
CSSD54-24	026613112497	1/2" FIP x 1/2" MIP (3/8" FIP Tap)	24"	25	15.4
CSSD54-30	026613113401	1/2" FIP x 1/2" MIP (3/8" FIP Tap)	30"	25	17.1
CSSD54-36	026613112503	1/2" FIP x 1/2" MIP (3/8" FIP Tap)	36"	25	17.7
CSSD54-48	026613112510	1/2" FIP x 1/2" MIP (3/8" FIP Tap)	48"	25	20.3
CSSD54-60	026613113418	1/2" FIP x 1/2" MIP (3/8" FIP Tap)	60"	12	12.0
CSSD54-72	026613113425	1/2" FIP x 1/2" MIP (3/8" FIP Tap)	72"	12	12.6
CSSD57-12	026613125930	1/2" FIP x 3/8" MIP	12"	25	11.2
CSSD57-18	026613144139	1/2" FIP x 3/8" MIP	18"	25	13.0
CSSD57-24	026613130408	1/2" FIP x 3/8" MIP	24"	25	14.6
CSSD57-30	026613144146	1/2" FIP x 3/8" MIP	30"	25	16.0
CSSD57-36	026613121123	1/2" FIP x 3/8" MIP	36"	25	16.8
CSSD57-48	026613125978	1/2" FIP x 3/8" MIP	48"	25	20.7
CSSD57-60	026613144153	1/2" FIP x 3/8" MIP	60"	12	11.0
CSSD57-72	026613144160	1/2" FIP x 3/8" MIP	72"	12	13.0
CSSD48-12	026613127538	1/2" MIP (3/8" FIP Tap) x 3/8" FIP	12"	25	11.1
CSSD48-18		1/2" MIP (3/8" FIP Tap) x 3/8" FIP	18"	25	10.6



Note: Connectors 12" - 48" available bulk 12/carton on request. Connectors also available in poly bags 5/carton. If your requirements are not listed, please request a special quotation from the nearest BrassCraft office. UPC code will be provided at time of shipment.

PART NO.	UPC	DESCRIPTION	LENGTH	QTY	LBS
3/8" ID (1/2" OD) - FIP x MIP (cont.)					CSSD
CSSD48-24	026613129068	1/2" MIP (3/8" FIP Tap) x 3/8" FIP	24"	25	13.8
CSSD48-30	026613130484	1/2" MIP (3/8" FIP Tap) x 3/8" FIP	30"	25	15.3
CSSD48-36	026613120447	1/2" MIP (3/8" FIP Tap) x 3/8" FIP	36"	25	16.7
CSSD48-48	026613120430	1/2" MIP (3/8" FIP Tap) x 3/8" FIP	48"	25	20.6
CSSD48-60	026613126425	1/2" MIP (3/8" FIP Tap) x 3/8" FIP	60"	12	11.6
CSSD48-72	026613126418	1/2" MIP (3/8" FIP Tap) x 3/8" FIP	72"	12	12.2



3/8" ID (1/2" OD) - FIP x FIP					CSSD
CSSD55-12	026613113432	1/2" FIP x 1/2" FIP	12"	25	11.6
CSSD55-18	026613113449	1/2" FIP x 1/2" FIP	18"	25	13.5
CSSD55-24	026613113456	1/2" FIP x 1/2" FIP	24"	25	15.0
CSSD55-30	026613121116	1/2" FIP x 1/2" FIP	30"	25	16.6
CSSD55-36	026613113463	1/2" FIP x 1/2" FIP	36"	25	17.3
CSSD55-48	026613113470	1/2" FIP x 1/2" FIP	48"	25	21.1
CSSD55-60	026613125558	1/2" FIP x 1/2" FIP	60"	12	11.8
CSSD55-72	026613144177	1/2" FIP x 1/2" FIP	72"	12	13.0
CSSD58-12	026613130804	1/2" FIP x 3/8" FIP	12"	25	10.6
CSSD58-18	026613126289	1/2" FIP x 3/8" FIP	18"	25	12.5
CSSD58-24	026613126272	1/2" FIP x 3/8" FIP	24"	25	14.0
CSSD58-30	026613144184	1/2" FIP x 3/8" FIP	30"	25	16.0
CSSD58-36	026613144191	1/2" FIP x 3/8" FIP	36"	25	17.0
CSSD58-48	026613144207	1/2" FIP x 3/8" FIP	48"	25	18.8
CSSD58-60	026613133386	1/2" FIP x 3/8" FIP	60"	12	10.5
CSSD58-72	026613144214	1/2" FIP x 3/8" FIP	72"	12	12.0



3/8" ID (1/2" OD) - MIP x Gas Ball Valve					CSSD
CSSD4K-12	026613113364	1/2" MIP (3/8" FIP Tap) x 1/2" FIP Gas Ball Valve	12"	25	18.3
CSSD4K-18	026613112435	1/2" MIP (3/8" FIP Tap) x 1/2" FIP Gas Ball Valve	18"	25	20.3
CSSD4K-24	026613112442	1/2" MIP (3/8" FIP Tap) x 1/2" FIP Gas Ball Valve	24"	25	21.9
CSSD4K-30	026613113371	1/2" MIP (3/8" FIP Tap) x 1/2" FIP Gas Ball Valve	30"	25	23.6
CSSD4K-36	026613112459	1/2" MIP (3/8" FIP Tap) x 1/2" FIP Gas Ball Valve	36"	25	23.9
CSSD4K-48	026613113388	1/2" MIP (3/8" FIP Tap) x 1/2" FIP Gas Ball Valve	48"	25	26.6
CSSD4K-60	026613113395	1/2" MIP (3/8" FIP Tap) x 1/2" FIP Gas Ball Valve	60"	12	14.3
CSSD4K-72	026613120928	1/2" MIP (3/8" FIP Tap) x 1/2" FIP Gas Ball Valve	72"	12	15.6



3/8" ID (1/2" OD) - FIP x Gas Ball Valve					CSSD
CSSD5K-12	026613128788	1/2" FIP x 1/2" FIP Gas Ball Valve	12"	25	17.8
CSSD5K-18	026613121901	1/2" FIP x 1/2" FIP Gas Ball Valve	18"	25	19.9
CSSD5K-24	026613121963	1/2" FIP x 1/2" FIP Gas Ball Valve	24"	25	21.4
CSSD5K-30	026613126401	1/2" FIP x 1/2" FIP Gas Ball Valve	30"	25	23.1
CSSD5K-36	026613121970	1/2" FIP x 1/2" FIP Gas Ball Valve	36"	25	23.5
CSSD5K-48	026613128795	1/2" FIP x 1/2" FIP Gas Ball Valve	48"	25	26.2
CSSD5K-60	026613130385	1/2" FIP x 1/2" FIP Gas Ball Valve	60"	12	14.1
CSSD5K-72	026613144221	1/2" FIP x 1/2" FIP Gas Ball Valve	72"	12	16.1



PART NO.	UPC	DESCRIPTION	LENGTH	QTY	LBS
3/8" ID (1/2" OD) - Nut x Nut (Not CSA Certified)					CSSD
CSSDNN-10N	026613122038	1/2" OD Flare Nuts, Both Ends	10"	25	5.5
CSSDNN-16N	026613113487	1/2" OD Flare Nuts, Both Ends	16"	25	7.3
CSSDNN-22N	026613113494	1/2" OD Flare Nuts, Both Ends	22"	25	8.9
CSSDNN-28N	026613113500	1/2" OD Flare Nuts, Both Ends	28"	25	10.5
CSSDNN-34N	026613113517	1/2" OD Flare Nuts, Both Ends	34"	25	11.1
CSSDNN-46N	026613113524	1/2" OD Flare Nuts, Both Ends	46"	25	15.0
CSSDNN-58N	026613121826	1/2" OD Flare Nuts, Both Ends	58"	12	8.9
CSSDNN-70N	026613122045	1/2" OD Flare Nuts, Both Ends	70"	12	9.5



1/4" ID (3/8" OD) - MIP x MIP					CSSL
CSSL44-12	026613113548	1/2" MIP (3/8" FIP Tap) x 1/2" MIP (3/8" FIP Tap)	12"	25	10.6
CSSL44-18	026613113531	1/2" MIP (3/8" FIP Tap) x 1/2" MIP (3/8" FIP Tap)	18"	25	12.1
CSSL44-24	026613112527	1/2" MIP (3/8" FIP Tap) x 1/2" MIP (3/8" FIP Tap)	24"	25	13.3
CSSL44-30	026613113555	1/2" MIP (3/8" FIP Tap) x 1/2" MIP (3/8" FIP Tap)	30"	25	14.5
CSSL44-36	026613113562	1/2" MIP (3/8" FIP Tap) x 1/2" MIP (3/8" FIP Tap)	36"	25	14.9
CSSL44-48	026613113579	1/2" MIP (3/8" FIP Tap) x 1/2" MIP (3/8" FIP Tap)	48"	25	18.4
CSSL44-60	026613117485	1/2" MIP (3/8" FIP Tap) x 1/2" MIP (3/8" FIP Tap)	60"	12	10.1
CSSL44-72	026613119960	1/2" MIP (3/8" FIP Tap) x 1/2" MIP (3/8" FIP Tap)	72"	12	10.4
CSSL47-18	026613118208	1/2" MIP (3/8" FIP Tap) x 3/8" MIP	18"	25	11.4
CSSL47-24	026613118192	1/2" MIP (3/8" FIP Tap) x 3/8" MIP	24"	25	12.6
CSSL47-30	026613118215	1/2" MIP (3/8" FIP Tap) x 3/8" MIP	30"	25	13.4
CSSL47-36	026613118222	1/2" MIP (3/8" FIP Tap) x 3/8" MIP	36"	25	14.2
CSSL47-48	026613144238	1/2" MIP (3/8" FIP Tap) x 3/8" MIP	48"	25	18.0
CSSL47-60	026613141145	1/2" MIP (3/8" FIP Tap) x 3/8" MIP	60"	12	9.7
CSSL77-12	026613121130	3/8" MIP x 3/8" MIP	12"	25	9.1
CSSL77-18	026613120065	3/8" MIP x 3/8" MIP	18"	25	10.7
CSSL77-24	026613113722	3/8" MIP x 3/8" MIP	24"	25	11.9
CSSL77-30	026613125008	3/8" MIP x 3/8" MIP	30"	25	13.1
CSSL77-36	026613117751	3/8" MIP x 3/8" MIP	36"	25	13.5
CSSL77-48	026613121925	3/8" MIP x 3/8" MIP	48"	25	17.0



1/4" ID (3/8" OD) - FIP x MIP					CSSL
CSSL54-12	026613113630	1/2" FIP x 1/2" MIP (3/8" FIP Tap)	12"	25	10.1
CSSL54-18	026613113647	1/2" FIP x 1/2" MIP (3/8" FIP Tap)	18"	25	11.6
CSSL54-24	026613113654	1/2" FIP x 1/2" MIP (3/8" FIP Tap)	24"	25	12.9
CSSL54-30	026613113661	1/2" FIP x 1/2" MIP (3/8" FIP Tap)	30"	25	14.0
CSSL54-36	026613113678	1/2" FIP x 1/2" MIP (3/8" FIP Tap)	36"	25	14.4
CSSL54-48	026613113685	1/2" FIP x 1/2" MIP (3/8" FIP Tap)	48"	25	17.9
CSSL54-60	026613113692	1/2" FIP x 1/2" MIP (3/8" FIP Tap)	60"	12	9.8
CSSL54-72	026613113708	1/2" FIP x 1/2" MIP (3/8" FIP Tap)	72"	12	10.1
CSSL57-12	026613113715	1/2" FIP x 3/8" MIP	12"	25	9.4
CSSL57-18	026613120539	1/2" FIP x 3/8" MIP	18"	25	10.9
CSSL57-24	026613117928	1/2" FIP x 3/8" MIP	24"	25	12.1
CSSL57-30	026613118673	1/2" FIP x 3/8" MIP	30"	25	13.3
CSSL57-36	026613117935	1/2" FIP x 3/8" MIP	36"	25	13.5



Note: Connectors 12" - 48" available bulk 12/carton on request. Connectors also available in poly bags 5/carton. If your requirements are not listed, please request a special quotation from the nearest BrassCraft office. UPC code will be provided at time of shipment.

PART NO.	UPC	DESCRIPTION	LENGTH	QTY	LBS
1/4" ID (3/8" OD) - FIP x MIP (cont.)					CSSL
CSSL57-48	026613119847	1/2" FIP x 3/8" MIP	48"	25	17.2
CSSL57-60	026613118727	1/2" FIP x 3/8" MIP	60"	12	9.5
CSSL57-72	026613144245	1/2" FIP x 3/8" MIP	72"	12	11.0
CSSL48-12	026613119090	3/8" FIP x 1/2" MIP (3/8" FIP Tap)	12"	25	9.2
CSSL48-18	026613119106	3/8" FIP x 1/2" MIP (3/8" FIP Tap)	18"	25	10.8
CSSL48-24	026613118178	3/8" FIP x 1/2" MIP (3/8" FIP Tap)	24"	25	12.0
CSSL48-30	026613121598	3/8" FIP x 1/2" MIP (3/8" FIP Tap)	30"	25	13.1
CSSL48-36	026613120416	3/8" FIP x 1/2" MIP (3/8" FIP Tap)	36"	25	13.5
CSSL48-48	026613120423	3/8" FIP x 1/2" MIP (3/8" FIP Tap)	48"	25	17.0
CSSL48-60	026613126159	3/8" FIP x 1/2" MIP (3/8" FIP Tap)	60"	12	9.4
CSSL48-72	026613121628	3/8" FIP x 1/2" MIP (3/8" FIP Tap)	72"	12	9.7
CSSL87-12	026613113753	3/8" FIP x 3/8" MIP	12"	25	8.5
CSSL87-18	026613113760	3/8" FIP x 3/8" MIP	18"	25	10.0
CSSL87-24	026613113777	3/8" FIP x 3/8" MIP	24"	25	11.2
CSSL87-30	026613119885	3/8" FIP x 3/8" MIP	30"	25	12.4
CSSL87-36	026613113784	3/8" FIP x 3/8" MIP	36"	25	12.8
CSSL87-48	026613120232	3/8" FIP x 3/8" MIP	48"	25	16.3
CSSL87-60	026613120058	3/8" FIP x 3/8" MIP	60"	12	9.1
CSSL87-72	026613144252	3/8" FIP x 3/8" MIP	72"	12	10.0



1/4" ID (3/8" OD) - FIP x FIP					CSSL
CSSL55-12	026613118239	1/2" FIP x 1/2" FIP	12"	25	9.6
CSSL55-18	026613118246	1/2" FIP x 1/2" FIP	18"	25	11.2
CSSL55-24	026613117843	1/2" FIP x 1/2" FIP	24"	25	12.4
CSSL55-30	026613118253	1/2" FIP x 1/2" FIP	30"	25	13.5
CSSL55-36	026613118260	1/2" FIP x 1/2" FIP	36"	25	13.9
CSSL55-48	026613118277	1/2" FIP x 1/2" FIP	48"	25	17.4
CSSL55-60	026613144269	1/2" FIP x 1/2" FIP	60"	12	10.0
CSSL55-72	026613144276	1/2" FIP x 1/2" FIP	72"	12	11.0
CSSL88-12	026613121611	3/8" FIP x 3/8" FIP	12"	25	7.8
CSSL88-18	026613113791	3/8" FIP x 3/8" FIP	18"	25	9.4
CSSL88-24	026613113807	3/8" FIP x 3/8" FIP	24"	25	10.6
CSSL88-30	026613144283	3/8" FIP x 3/8" FIP	30"	25	13.0
CSSL88-36	026613113814	3/8" FIP x 3/8" FIP	36"	25	12.2
CSSL88-48	026613113821	3/8" FIP x 3/8" FIP	48"	25	15.7
CSSL88-60	026613121369	3/8" FIP x 3/8" FIP	60"	12	8.8



1/4" ID (3/8" OD) - MIP x Gas Ball Valve					CSSL
CSSL4M-12	026613113586	1/2" MIP (3/8" FIP Tap) x 1/2" FIP Gas Ball Valve	12"	25	15.8
CSSL4M-18	026613113593	1/2" MIP (3/8" FIP Tap) x 1/2" FIP Gas Ball Valve	18"	25	17.6
CSSL4M-24	026613113609	1/2" MIP (3/8" FIP Tap) x 1/2" FIP Gas Ball Valve	24"	25	18.8
CSSL4M-30	026613118857	1/2" MIP (3/8" FIP Tap) x 1/2" FIP Gas Ball Valve	30"	25	19.0
CSSL4M-36	026613113616	1/2" MIP (3/8" FIP Tap) x 1/2" FIP Gas Ball Valve	36"	25	20.1
CSSL4M-48	026613113623	1/2" MIP (3/8" FIP Tap) x 1/2" FIP Gas Ball Valve	48"	25	22.5
CSSL4M-60	026613119526	1/2" MIP (3/8" FIP Tap) x 1/2" FIP Gas Ball Valve	60"	12	12.6



PART NO.	UPC	DESCRIPTION	LENGTH	QTY	LBS
1/4" ID (3/8" OD) - MIP x Gas Ball Valve (cont.)					CSSL
CSSL4M-72	026613121413	1/2" MIP (3/8" FIP Tap) x 1/2" FIP Gas Ball Valve	72"	12	12.9
CSSL7M-12	026613113739	3/8" MIP x 1/2" FIP Gas Ball Valve	12"	25	15.1
CSSL7M-18	026613113746	3/8" MIP x 1/2" FIP Gas Ball Valve	18"	25	16.9
CSSL7M-24	026613121420	3/8" MIP x 1/2" FIP Gas Ball Valve	24"	25	17.9
CSSL7M-30	026613121437	3/8" MIP x 1/2" FIP Gas Ball Valve	30"	25	19.1
CSSL7M-36	026613121444	3/8" MIP x 1/2" FIP Gas Ball Valve	36"	25	19.4
CSSL7M-48	026613133607	3/8" MIP x 1/2" FIP Gas Ball Valve	48"	25	21.8
CSSL7M-60	026613144290	3/8" MIP x 1/2" FIP Gas Ball Valve	60"	12	12.0



1/4" ID (3/8" OD) - FIP x Gas Ball Valve					CSSL
CSSL8M-12	026613113944	3/8" FIP x 1/2" FIP Gas Ball Valve	12"	25	14.4
CSSL8M-18	026613130460	3/8" FIP x 1/2" FIP Gas Ball Valve	18"	25	16.2
CSSL8M-24	026613119748	3/8" FIP x 1/2" FIP Gas Ball Valve	24"	25	17.4
CSSL8M-30	026613144306	3/8" FIP x 1/2" FIP Gas Ball Valve	30"	25	19.0
CSSL8M-36	026613119786	3/8" FIP x 1/2" FIP Gas Ball Valve	36"	25	18.8
CSSL8M-48	026613113951	3/8" FIP x 1/2" FIP Gas Ball Valve	48"	25	21.2
CSSL8M-72	026613144313	3/8" FIP x 1/2" FIP Gas Ball Valve	72"	12	13.0



1/4" ID (3/8" OD) - Nut x Nut (Not CSA Certified)					CSSL
CSSLNN-10N	026613121949	3/8" OD Flare Nuts, Both Ends	10"	25	4.1
CSSLNN-16N	026613120249	3/8" OD Flare Nuts, Both Ends	16"	25	5.6
CSSLNN-22N	026613117744	3/8" OD Flare Nuts, Both Ends	22"	25	6.8
CSSLNN-28N	026613121956	3/8" OD Flare Nuts, Both Ends	28"	25	8.1
CSSLNN-34N	026613113838	3/8" OD Flare Nuts, Both Ends	34"	25	9.4
CSSLNN-46N	026613113845	3/8" OD Flare Nuts, Both Ends	46"	25	11.9
CSSLNN-58N	026613113852	3/8" OD Flare Nuts, Both Ends	58"	12	7.0
CSSLNN-70N	026613113869	3/8" OD Flare Nuts, Both Ends	70"	12	7.3



1/4" ID (3/8" OD) w/ 9/16-24 Fine Thread - MIP x MIP (Not CSA Certified)					CSST
CSST44-18	026613120782	1/2" MIP (3/8" FIP Tap) x 1/2" MIP (3/8" FIP Tap)	18"	25	12.0
CSST44-24	026613126357	1/2" MIP (3/8" FIP Tap) x 1/2" MIP (3/8" FIP Tap)	24"	25	13.3
CSST44-30	026613126364	1/2" MIP (3/8" FIP Tap) x 1/2" MIP (3/8" FIP Tap)	30"	25	14.5
CSST44-36	026613120799	1/2" MIP (3/8" FIP Tap) x 1/2" MIP (3/8" FIP Tap)	36"	25	14.9
CSST44-48	026613120805	1/2" MIP (3/8" FIP Tap) x 1/2" MIP (3/8" FIP Tap)	48"	25	18.4
CSST44-60	026613130224	1/2" MIP (3/8" FIP Tap) x 1/2" MIP (3/8" FIP Tap)	60"	12	10.1
CSST44-72	026613125565	1/2" MIP (3/8" FIP Tap) x 1/2" MIP (3/8" FIP Tap)	72"	12	10.4



1/4" ID (3/8" OD) w/ 9/16-24 Fine Thread - FIP x MIP (Not CSA Certified)					CSST
CSST54-12	026613118352	1/2" FIP x 1/2" MIP (3/8" FIP Tap)	12"	25	10.0
CSST54-18	026613113975	1/2" FIP x 1/2" MIP (3/8" FIP Tap)	18"	25	11.0
CSST54-24	026613113982	1/2" FIP x 1/2" MIP (3/8" FIP Tap)	24"	25	12.8
CSST54-30	026613114002	1/2" FIP x 1/2" MIP (3/8" FIP Tap)	30"	25	13.9
CSST54-36	026613113999	1/2" FIP x 1/2" MIP (3/8" FIP Tap)	36"	25	14.3
CSST54-48	026613114019	1/2" FIP x 1/2" MIP (3/8" FIP Tap)	48"	25	17.8



Note: Connectors 12" - 48" available bulk 12/carton on request. Connectors also available in poly bags 5/carton. If your requirements are not listed, please request a special quotation from the nearest BrassCraft office. UPC code will be provided at time of shipment.

PART NO.	UPC	DESCRIPTION	LENGTH	QTY	LBS
1/4" ID (3/8" OD) w/ 9/16-24 Fine Thread - FIP x MIP (Not CSA Certified) (cont.)					
CSST					
CSST54-60	026613117256	1/2" FIP x 1/2" MIP (3/8" FIP Tap)	60"	12	8.8
CSST54-72	026613120751	1/2" FIP x 1/2" MIP (3/8" FIP Tap)	72"	12	10.1
CSST57-12	026613121048	1/2" FIP x 3/8" MIP	12"	25	9.2
CSST57-24	026613121178	1/2" FIP x 3/8" MIP	24"	25	12.0
CSST57-30	026613121451	1/2" FIP x 3/8" MIP	30"	25	13.8
CSST57-36	026613120584	1/2" FIP x 3/8" MIP	36"	25	13.6
CSST57-48	026613120072	1/2" FIP x 3/8" MIP	48"	25	15.4
CSST87-12	026613120331	3/8" FIP x 3/8" MIP	12"	25	8.3
CSST87-18	026613118123	3/8" FIP x 3/8" MIP	18"	25	9.8
CSST87-24	026613118710	3/8" FIP x 3/8" MIP	24"	25	10.5
CSST87-30	026613134468	3/8" FIP x 3/8" MIP	30"	25	12.2
CSST87-36	026613119731	3/8" FIP x 3/8" MIP	36"	25	12.7
CSST87-48	026613118758	3/8" FIP x 3/8" MIP	48"	25	15.2
CSST87-60	026613144320	3/8" FIP x 3/8" MIP	60"	12	6.0



1/4" ID (3/8" OD) w/ 9/16-24 Fine Thread - FIP x FIP (Not CSA Certified)

PART NO.	UPC	DESCRIPTION	LENGTH	QTY	LBS
CSST					
CSST88-12	026613133409	3/8" FIP x 3/8" FIP	12"	25	7.7
CSST88-18	026613133416	3/8" FIP x 3/8" FIP	18"	25	8.7
CSST88-24	026613133423	3/8" FIP x 3/8" FIP	24"	25	10.4
CSST88-30	026613118642	3/8" FIP x 3/8" FIP	30"	25	10.8
CSST88-36	026613144337	3/8" FIP x 3/8" FIP	36"	25	13.0
CSST88-60	026613144344	3/8" FIP x 3/8" FIP	60"	12	6.0
CSST88-72	026613144351	3/8" FIP x 3/8" FIP	72"	12	9.0



1/4" ID (3/8" OD) w/ 9/16-24 Fine Thread - Nut x Nut (Not CSA Certified)

PART NO.	UPC	DESCRIPTION	LENGTH	QTY	LBS
CSST					
CSSTNN-10N	026613113876	3/8" OD (9/16-24 Fine Thread) Flare Nuts, Both Ends	10"	25	4.6
CSSTNN-16N	026613113883	3/8" OD (9/16-24 Fine Thread) Flare Nuts, Both Ends	16"	25	6.1
CSSTNN-22N	026613112534	3/8" OD (9/16-24 Fine Thread) Flare Nuts, Both Ends	22"	25	7.4
CSSTNN-28N	026613113890	3/8" OD (9/16-24 Fine Thread) Flare Nuts, Both Ends	28"	25	8.6
CSSTNN-34N	026613113906	3/8" OD (9/16-24 Fine Thread) Flare Nuts, Both Ends	34"	25	9.9
CSSTNN-46N	026613113913	3/8" OD (9/16-24 Fine Thread) Flare Nuts, Both Ends	46"	25	12.5
CSSTNN-58N	026613113920	3/8" OD (9/16-24 Fine Thread) Flare Nuts, Both Ends	58"	12	7.3
CSSTNN-70N	026613113937	3/8" OD (9/16-24 Fine Thread) Flare Nuts, Both Ends	70"	12	7.5



PART NO.	UPC	DESCRIPTION	LENGTH	QTY	LBS
3/8" ID (1/2" OD) - MIP x MIP					BCSSD
BCSSD44-12	026613131375	1/2" MIP (3/8" FIP Tap) x 1/2" MIP (3/8" FIP Tap)	12"	25	12.5
BCSSD44-18	026613131382	1/2" MIP (3/8" FIP Tap) x 1/2" MIP (3/8" FIP Tap)	18"	25	14.3
BCSSD44-24	026613131399	1/2" MIP (3/8" FIP Tap) x 1/2" MIP (3/8" FIP Tap)	24"	25	16.0
BCSSD44-30	026613131405	1/2" MIP (3/8" FIP Tap) x 1/2" MIP (3/8" FIP Tap)	30"	25	17.5
BCSSD47-12	026613131412	1/2" MIP (3/8" FIP Tap) x 3/8" MIP	12"	25	11.7
BCSSD47-18	026613131429	1/2" MIP (3/8" FIP Tap) x 3/8" MIP	18"	25	13.5
BCSSD47-24	026613131481	1/2" MIP (3/8" FIP Tap) x 3/8" MIP	24"	25	15.1
BCSSD47-30	026613131436	1/2" MIP (3/8" FIP Tap) x 3/8" MIP	30"	25	16.7
BCSSD77-12	026613133591	3/8" MIP x 3/8" MIP	12"	25	10.7
BCSSD77-18	026613142821	3/8" MIP x 3/8" MIP	18"	25	12.6
BCSSD77-24	026613133447	3/8" MIP x 3/8" MIP	24"	25	14.2
BCSSD77-30	026613144368	3/8" MIP x 3/8" MIP	30"	25	14.0



3/8" ID (1/2" OD) - FIP x MIP					BCSSD
BCSSD54-12	026613134413	1/2" FIP x 1/2" MIP (3/8" FIP Tap)	12"	25	12.1
BCSSD54-18	026613132327	1/2" FIP x 1/2" MIP (3/8" FIP Tap)	18"	25	13.9
BCSSD54-24	026613132310	1/2" FIP x 1/2" MIP (3/8" FIP Tap)	24"	25	15.5
BCSSD54-30	026613133393	1/2" FIP x 1/2" MIP (3/8" FIP Tap)	30"	25	17.1
BCSSD54-36	026613132723	1/2" FIP x 1/2" MIP (3/8" FIP Tap)	36"	25	17.6



3/8" ID (1/2" OD) - FIP x FIP					BCSSD
BCSSD55-12	026613135687	1/2" FIP x 1/2" FIP	12"	25	11.6
BCSSD55-18	026613142999	1/2" FIP x 1/2" FIP	18"	25	14.0
BCSSD55-24	026613134680	1/2" FIP x 1/2" FIP	24"	25	15.1



3/8" ID (1/2" OD) - MIP x Gas Ball Valve					BCSSD
BCSSD4K-12	026613142968	1/2" MIP (3/8" FIP Tap) x 1/2" FIP Gas Ball Valve	12"	25	19.0
BCSSD4K-18	026613142975	1/2" MIP (3/8" FIP Tap) x 1/2" FIP Gas Ball Valve	18"	25	20.0
BCSSD4K-24	026613134550	1/2" MIP (3/8" FIP Tap) x 1/2" FIP Gas Ball Valve	24"	25	22.0
BCSSD4K-30	026613142982	1/2" MIP (3/8" FIP Tap) x 1/2" FIP Gas Ball Valve	30"	25	24.0



3/8" ID (1/2" OD) - FIP x Gas Ball Valve					BCSSD
BCSSD5K-12	026613144375	1/2" FIP x 1/2" FIP Gas Ball Valve	12"	25	18.0
BCSSD5K-18	026613134321	1/2" FIP x 1/2" FIP Gas Ball Valve	18"	25	19.9
BCSSD5K-24	026613144382	1/2" FIP x 1/2" FIP Gas Ball Valve	24"	25	21.0
BCSSD5K-30	026613144399	1/2" FIP x 1/2" FIP Gas Ball Valve	30"	25	23.0



1/4" ID (3/8" OD) - MIP x MIP					BCSSL
BCSSL44-12	026613131313	1/2" MIP (3/8" FIP Tap) x 1/2" MIP (3/8" FIP Tap)	12"	25	10.5
BCSSL44-18	026613131320	1/2" MIP (3/8" FIP Tap) x 1/2" MIP (3/8" FIP Tap)	18"	25	12.7
BCSSL44-24	026613131337	1/2" MIP (3/8" FIP Tap) x 1/2" MIP (3/8" FIP Tap)	24"	25	13.2
BCSSL44-30	026613131467	1/2" MIP (3/8" FIP Tap) x 1/2" MIP (3/8" FIP Tap)	30"	25	15.1
BCSSL47-12	026613131344	1/2" MIP (3/8" FIP Tap) x 3/8" MIP	12"	25	9.8
BCSSL47-18	026613131474	1/2" MIP (3/8" FIP Tap) x 3/8" MIP	18"	25	11.4
BCSSL47-24	026613131351	1/2" MIP (3/8" FIP Tap) x 3/8" MIP	24"	25	12.6
BCSSL47-30	026613131368	1/2" MIP (3/8" FIP Tap) x 3/8" MIP	30"	25	14.1



Note: Connectors 12" - 48" available bulk 12/carton on request. Connectors also available in poly bags 5/carton. If your requirements are not listed, please request a special quotation from the nearest BrassCraft office. UPC code will be provided at time of shipment.

PART NO.	UPC	DESCRIPTION	LENGTH	QTY	LBS
1/4" ID (3/8" OD) - FIP x MIP					BCSSL
BCSSL54-12	026613142784	1/2" FIP x 1/2" MIP (3/8" FIP Tap)	12"	25	10.1
BCSSL54-18	026613144405	1/2" FIP x 1/2" MIP (3/8" FIP Tap)	18"	25	11.7
BCSSL54-24	026613133812	1/2" FIP x 1/2" MIP (3/8" FIP Tap)	24"	25	12.9
BCSSL54-30	026613133454	1/2" FIP x 1/2" MIP (3/8" FIP Tap)	30"	25	14.1
BCSSL87-12	026613132303	3/8" FIP x 3/8" MIP	12"	25	8.1
BCSSL87-18	026613132174	3/8" FIP x 3/8" MIP	18"	25	9.7
BCSSL87-24	026613132297	3/8" FIP x 3/8" MIP	24"	25	10.9
BCSSL87-30	026613132280	3/8" FIP x 3/8" MIP	30"	25	12.1



1/4" ID (3/8" OD) - FIP x FIP					BCSSL
BCSSL88-12	026613133621	3/8" FIP x 3/8" FIP	12"	25	7.8
BCSSL88-18	026613132440	3/8" FIP x 3/8" FIP	18"	25	12.6
BCSSL88-24	026613132457	3/8" FIP x 3/8" FIP	24"	25	13.8
BCSSL88-30	026613144412	3/8" FIP x 3/8" FIP	30"	25	15.0



1/4" ID (3/8" OD) - MIP x Gas Ball Valve					BCSSL
BCSSL4M-12	026613144429	1/2" MIP (3/8" FIP Tap) x 1/2" FIP Gas Ball Valve	12"	25	16.0
BCSSL4M-18	026613133973	1/2" MIP (3/8" FIP Tap) x 1/2" FIP Gas Ball Valve	18"	25	17.6
BCSSL4M-24	026613144436	1/2" MIP (3/8" FIP Tap) x 1/2" FIP Gas Ball Valve	24"	25	19.0
BCSSL4M-30	026613144443	1/2" MIP (3/8" FIP Tap) x 1/2" FIP Gas Ball Valve	30"	25	21.0
BCSSL7M-12	026613142074	3/8" MIP x 1/2" FIP Gas Ball Valve	12"	25	15.1
BCSSL7M-18	026613144450	3/8" MIP x 1/2" FIP Gas Ball Valve	18"	25	18.0
BCSSL7M-24	026613142081	3/8" MIP x 1/2" FIP Gas Ball Valve	24"	25	18.1
BCSSL7M-30	026613144467	3/8" MIP x 1/2" FIP Gas Ball Valve	30"	25	20.0



1/4" ID (3/8" OD) - FIP x Gas Ball Valve					BCSSL
BCSSL8M-12	026613142623	3/8" FIP x 1/2" FIP Gas Ball Valve	12"	25	14.5
BCSSL8M-18	026613144474	3/8" FIP x 1/2" FIP Gas Ball Valve	18"	25	16.0
BCSSL8M-24	026613144481	3/8" FIP x 1/2" FIP Gas Ball Valve	24"	25	17.0
BCSSL8M-30	026613144498	3/8" FIP x 1/2" FIP Gas Ball Valve	30"	25	18.0





Gas Installation Kits

are designed to fit most new and older appliances. Kits contain everything needed to make a quick and EZ gas connection.

- ProCoat® Coated Stainless Steel Gas Connector
- Safety+PLUS® Excess Flow Valve*
- Multiple Steel Gas Fittings to Fit Most Appliances
- Pipe Thread Sealant
- Leak Detection Solution

*Included with PSC1081, PSC1083 kits only.

PART NO.	UPC	DESCRIPTION	LENGTH	QTY	LBS
----------	-----	-------------	--------	-----	-----

Safety+PLUS® Gas Installation Kit for Pro-Grade Range & Furnace

PSC1083	039166091669	(1) CSSC54E-48 5/8" OD (15/16-16 Thread) x 48" yellow coated gas connector (1) MEU2-10-12 Safety+PLUS EFV 3/4" MIP (1/2" FIP) (1) MAU2-10-12S 3/4" MIP (1/2" FIP) steel fitting (1) MAU2-10-8S 1/2" MIP steel fitting (1) 3mil tube of pipe thread sealant (1) 3mil tube of leak detection solution	48"	10	17.3
---------	--------------	--	-----	----	------



Safety+PLUS® Gas Installation Kit for Range & Dryer

PSC1081	039166091645	(1) CSSD44E-48 1/2" OD x 48" yellow coated gas connector (1) EU2-8L Safety+PLUS EFV (1/2" MIP) (1) AU2-8S 1/2" MIP (3/8" FIP) steel fitting (1) AU1-8S 1/2" FIP steel fitting (1) AU2-8-6S 3/8" MIP steel fitting (1) 3mil tube of pipe thread sealant (1) 3mil tube of leak detection solution	48"	10	14.2
---------	--------------	---	-----	----	------



Black ProCoat® Gas Installation Kit for Gas Log & Space Heater

PSC1079	026613114439	(1) BCSSD54-24 1/2" OD x 24" black coated gas connector (1) AU2-8S 1/2" MIP (3/8" FIP) steel fitting (1) AU1-8S 1/2" FIP steel fitting (1) AU2-8-6S 3/8" MIP steel fitting (1) 3mil tube of pipe thread sealant (1) 3mil tube of leak detection solution	24"	10	9.5
---------	--------------	---	-----	----	-----



Tankless Water Heater Installation Kits

As the world leader in gas and water products, BrassCraft®'s tankless water heater installation kits are no exception. Compliant with 2014 low lead requirements, our tankless water heater installation kits simplify the installation process with fewer connections and a clean, professional finish. Featuring independent, 1/4 turn water control, BrassCraft service valves make it simple to service and test the appliance.

Large Capacity Gas Connector with exclusive ProCoat® corrosion resistant coating

Built-In Port for PR Valve reduces the number of connections required

Integrated Drain Valve with independent, 1/4 turn operation

Right-Sized Handles color coded and great for tight installations

NOW AVAILABLE IN COMPLIANT BRASS

BrassCraft's Tankless Water Heater kits offer a wide range of features including:

- One-Piece, Forged Brass Body
- Drain Valve with Brass Safety Cap
- 3/4" ID Coated Stainless Steel Gas Connector
- Available in Sweat & IPS Configurations
- Optional Full-Port Gas Ball Valve



Service Valves



Gas Connector, Gas Ball Valve & PR Valve



Service Valves

Ideal for Recessed and Cover Box Installations

PART NO.	UPC	DESCRIPTION	LENGTH	QTY	LBS
Service Valve Kits					IPS
*TWW30	026613139586	IPS x IPS Service Valve Kit	N/A	6	20.7
TWW30X	026613141350	IPS x IPS Service Valve Kit	N/A	6	21.1



Service Valve Kits with PRV					IPS
*TWW30R	026613139616	IPS x IPS Service Valve Kit with Pressure Relief Valve (200 kBtu/hr)	N/A	6	23.7
TWW30RX	026613141343	IPS x IPS Service Valve Kit with Pressure Relief Valve (200 kBtu/hr)	N/A	6	24.1



Service Valve Kits					SWEAT
*TWW3S	026613140681	Sweat x IPS Service Valve Kit	N/A	6	20.9
TWW3SX	026613141411	Sweat x IPS Service Valve Kit	N/A	6	20.8



Service Valve Kits with PRV					SWEAT
*TWW3SR	026613140674	Sweat x IPS Service Valve Kit with Pressure Relief Valve (200 kBtu/hr)	N/A	6	23.9
TWW3SRX	026613141404	Sweat x IPS Service Valve Kit with Pressure Relief Valve (200 kBtu/hr)	N/A	6	23.8



Service Valve Kits with Gas Connector					IPS
*TK30RB21-18	026613139630	IPS x IPS service valve kit with 3/4" ID (3/4" FIP x 3/4" MIP) x 18" yellow coated gas connector & PR valve	18"	3	17.5
TK30RB21-18X	026613141367	IPS x IPS service valve kit with 3/4" ID (3/4" FIP x 3/4" MIP) x 18" yellow coated gas connector & PR valve	18"	3	16.6
*TK30RB21-24	026613139654	IPS x IPS service valve kit with 3/4" ID (3/4" FIP x 3/4" MIP) x 24" yellow coated gas connector & PR valve	24"	3	17.8
TK30RB21-24X	026613141374	IPS x IPS service valve kit with 3/4" ID (3/4" FIP x 3/4" MIP) x 24" yellow coated gas connector & PR valve	24"	3	16.8



Service Valve Kits with Gas Connector and Gas Ball Valve					IPS
*TK30RB21-18G3	026613139623	IPS x IPS service valve kit with 3/4" ID (3/4" FIP x 3/4" MIP) x 18" yellow coated gas connector, 3/4" full-port gas ball valve & PR valve	18"	3	19.5
TK30RB21-18G3X	026613141381	IPS x IPS service valve kit with 3/4" ID (3/4" FIP x 3/4" MIP) x 18" yellow coated gas connector, 3/4" full-port gas ball valve & PR valve	18"	3	18.5
*TK30RB21-24G3	026613139647	IPS x IPS service valve kit with 3/4" ID (3/4" FIP x 3/4" MIP) x 24" yellow coated gas connector, 3/4" full-port gas ball valve & PR valve	24"	3	19.8
TK30RB21-24G3X	026613141398	IPS x IPS service valve kit with 3/4" ID (3/4" FIP x 3/4" MIP) x 24" yellow coated gas connector, 3/4" full-port gas ball valve & PR valve	24"	3	18.8



*Not available for sale after October 1, 2013.

PART NO.	UPC	DESCRIPTION	LENGTH	QTY	LBS
Service Valve Kits with Gas Connector					
					SWEAT
*TK3SRB21-18	026613140711	Sweat x IPS service valve kit with 3/4" ID (3/4" FIP x 3/4" MIP) x 18" yellow coated gas connector & PR valve	18"	3	17.6
TK3SRB21-18X	026613141923	Sweat x IPS service valve kit with 3/4" ID (3/4" FIP x 3/4" MIP) x 18" yellow coated gas connector & PR valve	18"	3	16.4
*TK3SRB21-24	026613140735	Sweat x IPS service valve kit with 3/4" ID (3/4" FIP x 3/4" MIP) x 24" yellow coated gas connector & PR valve	24"	3	17.8
TK3SRB21-24X	026613141930	Sweat x IPS service valve kit with 3/4" ID (3/4" FIP x 3/4" MIP) x 24" yellow coated gas connector & PR valve	24"	3	16.7



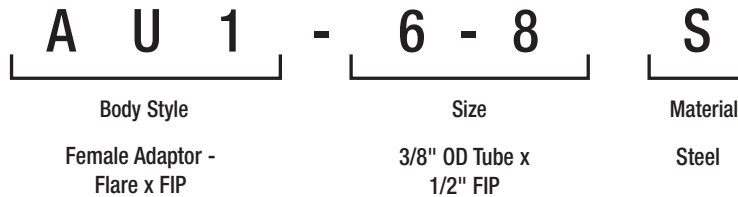
Service Valve Kits with Gas Connector and Gas Ball Valve

PART NO.	UPC	DESCRIPTION	LENGTH	QTY	LBS
					SWEAT
*TK3SRB21-18G3	026613140704	Sweat x IPS service valve kit with 3/4" ID (3/4" FIP x 3/4" MIP) x 18" yellow coated gas connector, 3/4" full-port gas ball valve & PR valve	18"	3	19.5
*TK3SRB21-24G3	026613140728	Sweat x IPS service valve kit with 3/4" ID (3/4" FIP x 3/4" MIP) x 24" yellow coated gas connector, 3/4" full-port gas ball valve & PR valve	24"	3	19.8



Part Numbering System

Example:



AU1

 Body Style

Body Style

Safety+PLUS® Appliance Excess Flow Valves:

- MEU1* / EU1** Female Adaptor - Flare x FIP
- MEU2* / EU2** Male Adaptor - Flare x MIP (Tapped FIP Option)
- MEU4* / EU4** Male Adaptor - Flare x MIP (Tapped Female Flare)
- MEU5* / EU5** Female Union - Flare x Female Flare

Adaptor Fittings:

- MAU1* / AU1** Female Adaptor - Flare x FIP
- MAU2* / AU2** Male Adaptor - Flare x MIP (Tapped FIP)
- MAE1*** Female Elbow

Fine-Thread Adaptor Fittings:

- F10/12** Male Adaptor
- F15/17** Female Elbow
- FC** Flare Cap
- F0** Flare Nut
- FRC11/13** Female Adaptor
- FRC16/18** Male Elbow
- FT3** Flare Tee
- FU3** Flare Union

Gas Ball Valves:

- TBV** FIP x Flare or FIP x FIP
- TBVA** FIP x Flare (Angle)
- TBVF** Flare x Flare
- TBV#F** FIP x FIP (Full Port)

**Fittings with 5/8" OD (15/16 -16 Thread)*

CAUTION: Use only 5/8" OD Flare (15/16 -16 Thread) Gas Fittings and Valves with 5/8" OD Gas Appliance Connectors (BrassCraft CSSC Series)

6 - 8

 Size

Size

Tube & Pipe Sizing:

2	1/8"	5	5/16"	8	1/2"	14	7/8"
3	3/16"	6	3/8"	10	5/8"	16	1"
4	1/4"	7	7/16"	12	3/4"		

S

 Material

Material

- S Suffix** Steel
- No Suffix** Brass

Gas Ball Valves

Superior Performance and Reliability



Forged Brass Body

Eliminates pinhole leaks commonly associated with cast products.

Specially Designed Seat Rings

PTFE seats assure longer life.

Quarter-Turn Design

For easy on/off operation.

Blow-Out Proof Stem

Assembled from the inside with double o-rings to ensure safe, reliable performance.

100% Leak Tested

Each valve is leak tested to ensure reliability.

Patented Design Handle

Integrates "T" and lever handles into one, saving inventory SKUs and dollars.

Made in Italy*



PART NO.	UPC	DESCRIPTION	QTY	LBS
----------	-----	-------------	-----	-----

FIP x FIP - Full Port

TBV12F	026613139609	3/4" FIP x 3/4" FIP	6	4.1
--------	--------------	---------------------	---	-----



FIP x FIP

TBV16	026613099439	1" FIP x 1" FIP	6	6.0
TBV12	026613099422	3/4" FIP x 3/4" FIP	10	5.7
TBV8	026613099415	1/2" FIP x 1/2" FIP	10	3.6



Flare x FIP

TBV10-12	026613099385	5/8" OD Flare (15/16-16 Thread) x 3/4" FIP	10	5.9
TBV10-8	026613099378	5/8" OD Flare (15/16-16 Thread) x 1/2" FIP	10	5.4
TBV8-8	026613099361	1/2" OD Flare x 1/2" FIP	10	3.9
TBV6-8	026613099347	3/8" OD Flare x 1/2" FIP	10	.2
TBV6F-8	026613099354	3/8" OD Flare (9/16-24 Fine Thread) x 1/2" FIP	10	3.5



*Except where noted

PART NO.	UPC	DESCRIPTION	QTY	LBS
Flare x FIP - Angle				
TBVA10-12	026613099392	5/8" OD Flare (15/16-16 Thread) x 3/4" FIP	10	.3
TBVA8-8	026613100241	1/2" OD Flare x 1/2" FIP	10	5.3
TBVA6-8	026613100258	3/8" OD Flare x 1/2" FIP	10	5.3



Flare x Flare				
TBVF6	026613099316	3/8" OD Flare x 3/8" OD Flare	10	3.4
TBVF8	026613099323	1/2" OD Flare x 1/2" OD Flare	10	3.7



FIP x FIP - ECONOMY (China)				
LBV12	026613122069	3/4" FIP x 3/4" FIP	10	4.6
LBV8	026613122052	1/2" FIP x 1/2" FIP	10	3.2



Safety+PLUS®

Appliance Excess Flow Valves



The Safety+PLUS excess flow valve helps protect against gas fires and explosions due to line ruptures or disconnects at the appliance. In the event of either, Safety+PLUS immediately restricts gas flow to a non-hazardous level (bypass) to avert the potential for a dangerous release of gas into the home.

Gas flow is controlled only at the appliance where the problem occurred; the rest of the home's system continues to function. Only once the gas line is properly repaired, the valve's bypass flow automatically pressurizes the gas line to reset the valve and restore gas flow to the appliance.



- Automatic Valve Activation
- Automatic Reset
- Easy to Install
- 100% Performance Tested



FLOW CAPACITY (Btu/h) – Sizing the Excess Flow Valve

	Part No.	Minimum Flow Capacity <i>(Appliance Btu Rating should be GREATER than)</i>	Maximum Flow Capacity <i>(Appliance Btu Rating should be LESS than)</i>	Closing Flow Rate
3/8" OD Flare (Series 1540) <i>Low Demand Installations</i>	EU2-6-8	-----	48,000	95,000
	EU2-6-12	-----	48,000	95,000
	EU4-6-8	-----	48,000	95,000
1/2" OD Flare (Series 1540) <i>Low to Moderate Demand Installations</i>	EU2-8L	-----	60,500	95,000
	EU2-8-12L	-----	60,500	95,000
	EU4-8L	-----	60,500	95,000
	EU4-8-12L	-----	60,500	95,000
1/2" OD Flare (Series 1550) <i>Moderate to Large Demand Installations</i>	EU1-8-12	60,501	102,000	135,000*
	EU2-8	60,501	102,000	135,000*
	EU2-8-12	60,501	102,000	135,000*
5/8" OD Flare (15/16-16 Thread) [Series 1550] <i>Moderate to Large Demand Installations</i>	MEU1-10-12L	60,501	102,000	135,000*
	MEU2-10-12L	60,501	102,000	135,000*
	MEU5-10L	60,501	102,000	135,000*
5/8" OD Flare (15/16-16 Thread) [Series 1560] <i>Large Demand Installations</i>	MEU1-10-12	75,000	135,000	195,000
	MEU2-10-8	75,000	135,000	195,000
	MEU2-10-12	75,000	135,000	195,000
	MEU5-10	75,000	135,000	195,000

NOTE: All Safety+PLUS valves require a minimum inlet pressure of 4" W.C. and are rated at a maximum inlet pressure of 1/2" psig. All Safety+PLUS valves have a maximum 5 SCFH bypass flow rate. Flow rates given are for 0.6 specific gravity natural gas with an average heating value of 1,000 Btu per cubic foot; therefore, 1 kBtu/h is equal to 1 SCFH (standard cubic foot per hour).

*When the excess flow valve is installed in the vertical downward position (flow arrows pointing toward the floor), the closing flow rate is 110,000 Btu/h.

PART NO.	UPC	DESCRIPTION	QTY	LBS
5/8" OD - Flare x FIP			USE WITH CONNECTOR	CSSC
MEU1-10-12 P	026613117003	5/8" OD (15/16-16 Thread) Flare x 3/4" FIP - Brass (1560 capsule)	5	1.4
MEU1-10-12L P	026613132242	5/8" OD (15/16-16 Thread) Flare x 3/4" FIP - Brass (1550 capsule)	5	1.4



5/8" OD - Flare x MIP			USE WITH CONNECTOR	CSSC
MEU2-10-12 P	026613117010	5/8" OD (15/16-16 Thread) Flare x 3/4" MIP (1/2" FIP) - Brass (1560 capsule)	5	1.5
MEU2-10-12L P	026613132259	5/8" OD (15/16-16 Thread) Flare x 3/4" MIP (1/2" FIP) - Brass (1550 capsule)	5	1.5
MEU2-10-8 P	026613117027	5/8" OD (15/16-16 Thread) Flare x 1/2" MIP (no FIP tap) - Brass (1560 capsule)	5	1.4



5/8" OD - Flare x Female Flare			USE WITH CONNECTOR	CSSC
MEU5-10 P	026613116853	5/8" OD (15/16-16 Thread) Flare x 5/8" OD Female Flare - Brass (1560 capsule)	5	1.7
MEU5-10L P	026613132273	5/8" OD (15/16-16 Thread) Flare x 5/8" OD Female Flare - Brass (1550 capsule)	5	1.7



1/2" OD - Flare x FIP			USE WITH CONNECTOR	CSSD
EU1-8-12 P	026613116860	1/2" OD Flare x 3/4" FIP - Brass (1550 capsule)	5	1.2



1/2" OD - Flare x MIP			USE WITH CONNECTOR	CSSD
EU2-8-12 P	026613116907	1/2" OD Flare x 3/4" MIP (1/2" FIP) - Brass (1550 capsule)	5	1.3
EU2-8-12L P	026613119700	1/2" OD Flare x 3/4" MIP (1/2" FIP) - Brass (1540 capsule)	5	1.3
EU2-8 P	026613116891	1/2" OD Flare x 1/2" MIP (3/8" FIP) - Brass (1550 capsule)	5	1.2
EU2-8L P	026613119724	1/2" OD Flare x 1/2" MIP (3/8" FIP) - Brass (1540 capsule)	5	1.2



1/2" OD - Flare x Female Flare			USE WITH CONNECTOR	CSSD
EU4-8-12L P	026613119687	1/2" OD Flare x 1/2" Female Flare (3/4" MIP) - Brass (1540 capsule)	5	1.4



3/8" OD - Flare x MIP			USE WITH CONNECTOR	CSSL
EU2-6-12 P	026613118765	3/8" OD Flare x 3/4" MIP (1/2" FIP) - Brass (1540 capsule)	5	1.2
EU2-6-8 P	026613116884	3/8" OD Flare x 1/2" MIP (3/8" FIP) - Brass (1540 capsule)	5	1.1



3/8" OD - Flare x Female Flare			USE WITH CONNECTOR	CSSL
EU4-6-8 P	026613116914	3/8" OD Flare x 3/8" Female Flare (1/2" MIP) - Brass (1540 capsule)	5	1.2





PART NO.	UPC	DESCRIPTION	USE WITH CONNECTOR	QTY	LBS
7/8" OD - Flare x FIP			CSSB		
AU1-14-12	026613132846	7/8" OD Flare x 3/4" FIP		10	1.8
AU1-14-16	026613132853	7/8" OD Flare x 1" FIP		10	2.9



PART NO.	UPC	DESCRIPTION	USE WITH CONNECTOR	QTY	LBS
7/8" OD - Flare x MIP			CSSB		
AU2-14-12	026613132860	7/8" OD Flare x 3/4" MIP (1/2" FIP)		10	2.6
AU2-14-16	026613132877	7/8" OD Flare x 1" MIP (3/4" FIP)		10	4.2



PART NO.	UPC	DESCRIPTION	USE WITH CONNECTOR	QTY	LBS
5/8" OD - Flare x FIP			CSSC		
MAU1-10-12S	026613082660	5/8" OD (15/16-16 Thread) Flare x 3/4" FIP		25	4.7
MAU1-10-8S	026613088570	5/8" OD (15/16-16 Thread) Flare x 1/2" FIP		25	4.2



PART NO.	UPC	DESCRIPTION	USE WITH CONNECTOR	QTY	LBS
5/8" OD - Flare x FIP Elbow			CSSC		
MAE1-10-12	026613084213	5/8" OD (15/16-16 Thread) Flare x 3/4" FIP		25	8.1



PART NO.	UPC	DESCRIPTION	USE WITH CONNECTOR	QTY	LBS
5/8" OD - Flare x MIP			CSSC		
MAU2-10-12S	026613082677	5/8" OD (15/16-16 Thread) Flare x 3/4" MIP (1/2" FIP)		25	6.2
MAU2-10-8S	026613082684	5/8" OD (15/16-16 Thread) Flare x 1/2" MIP (3/8" FIP)		25	4.8



PART NO.	UPC	DESCRIPTION	USE WITH CONNECTOR	QTY	LBS
Flare Caps			CSSC		
M40-10	026613052069	5/8" OD (15/16-16 Thread) Flare		10	1.0



PART NO.	UPC	DESCRIPTION	USE WITH CONNECTOR	QTY	LBS
Gas Connector Nuts			CSSC		
ASN-10	026613082387	5/8" OD (15/16-16 Thread) Flare		25	2.7



PART NO.	UPC	DESCRIPTION	USE WITH CONNECTOR	QTY	LBS
1/2" OD - Flare x FIP			CSSD		
AU1-8-12S	026613088518	1/2" OD Flare x 3/4" FIP		25	3.3
AU1-8S	026613088532	1/2" OD Flare x 1/2" FIP		25	3.1



PART NO.	UPC	DESCRIPTION	USE WITH CONNECTOR	QTY	LBS
1/2" OD - Flare x MIP			CSSD		
AU2-8-12S	026613088563	1/2" OD Flare x 3/4" MIP (1/2" FIP)		25	7.2
AU2-8S	026613082646	1/2" OD Flare x 1/2" MIP (3/8" FIP)		25	3.5
AU2-8-6S	026613053707	1/2" OD Flare x 3/8" MIP		10	1.1



PART NO.	UPC	DESCRIPTION	USE WITH CONNECTOR	QTY	LBS
Flare Caps			CSSD		
40-8	026613004938	1/2" OD Flare		10	.4

PART NO.	UPC	DESCRIPTION	QTY	LBS
Flare Nuts - Short			USE WITH CONNECTOR	CSSD
41S-8	026613004990	1/2" OD Tube	10	.7



3/8" OD - Flare x FIP			USE WITH CONNECTOR	CSSL
AU1-6-8S	026613106717	3/8" OD Flare x 1/2" FIP	25	2.8
AU1-6S	026613088501	3/8" OD Flare x 3/8" FIP	25	1.9



3/8" OD - Flare x MIP			USE WITH CONNECTOR	CSSL
AU2-6-8S	026613106724	3/8" OD Flare x 1/2" MIP (3/8" FIP)	25	3.2
AU2-6S	026613088549	3/8" OD Flare x 3/8" MIP	25	2.5



Flare Caps			USE WITH CONNECTOR	CSSL
40-6	026613004921	3/8" OD Flare	10	.4



Flare Nuts - Short			USE WITH CONNECTOR	CSSL
41S-6	026613004976	3/8" OD Tube	10	.5





PART NO.	UPC	DESCRIPTION	USE WITH CONNECTOR	QTY	LBS
Fine Thread Flare Female Adaptors			CSST		
F10-6S	026613060613	3/8" OD (9/16-24 Fine Thread) Flare x 3/8" FIP		25	1.5
F12-6-8S	026613060620	3/8" OD (9/16-24 Fine Thread) Flare x 1/2" FIP		10	1.0



PART NO.	UPC	DESCRIPTION	USE WITH CONNECTOR	QTY	LBS
Fine Thread Flare Male Adaptors			CSST		
FRC13-6-8S	026613060668	3/8" OD (9/16-24 Fine Thread) Flare x 1/2" MIP (3/8" FIP Tap)		10	1.2



PART NO.	UPC	DESCRIPTION	USE WITH CONNECTOR	QTY	LBS
Fine Thread Flare Male Elbows			CSST		
FRC16-6	026613064031	3/8" OD (9/16-24 Fine Thread) Flare x 3/8" MIP		10	1.0
FRC18-6-8	026613064048	3/8" OD (9/16-24 Fine Thread) Flare x 1/2" MIP (3/8" FIP Tap)		10	1.3



PART NO.	UPC	DESCRIPTION	USE WITH CONNECTOR	QTY	LBS
Fine Thread Flare Tees			CSST		
FT3-6	026613064055	3/8" OD (9/16-24 Fine Thread) Flare, 3 Ends		10	1.4



PART NO.	UPC	DESCRIPTION	USE WITH CONNECTOR	QTY	LBS
Fine Thread Flare Unions			CSST		
FU3-6	026613005119	3/8" OD (9/16-24 Fine Thread) Flare, Both Ends		10	.5



PART NO.	UPC	DESCRIPTION	USE WITH CONNECTOR	QTY	LBS
Fine Thread Flare Caps			CSST		
FC-6	026613059037	3/8" OD (9/16-24 Fine Thread) Flare		10	.3



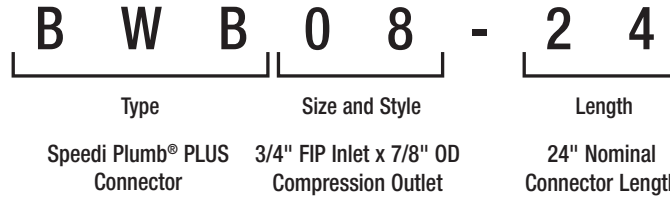
PART NO.	UPC	DESCRIPTION	USE WITH CONNECTOR	QTY	LBS
Fine Thread Flare Nuts			CSST		
F0-6	026613004785	3/8" OD Tube (9/16-24 Fine Thread)		10	.2



PART NO.	UPC	DESCRIPTION	USE WITH CONNECTOR	QTY	LBS
Fine Thread Flare Reducing Nuts			CSST		
F0-6-4 R	026613058962	3/8" OD Tube (9/16-24 Thread) x 1/4" OD Tube		10	.3

Part Numbering System

Example:



BWB

Type

Connector Type

- BWB** Speedi Plumb® PLUS Engineered Polymer Braid; .57" ID w/Fittings
- SWB** ProCoat® Corrugated Stainless Steel; 3/4" ID Nut x Nut
- WB** Copper-Flex™ Corrugated Copper; 7/8" OD w/Fittings
- WC** Copper-Flex™ Corrugated Copper; 7/8" OD w/3/4" Nom Copper Sweat

08

Size and Style

End Fitting Size and Style

For **BWB**:

- 0** 3/4" FIP
- 1** 1" FIP
- 2** 3/4" MIP
- 5** 5/8" OD Compression
- 8** 7/8" OD Compression
- PX** PX Suffix = 3/4" PEX Barbed

For **SWB, WB, WC**:

- 0** 3/4" FIP
- 1** 1" FIP
- 2** 3/4" MIP/FIP
- 3** 3/4" Nom Male Sweat (7/8" OD)
- 4** 3/4" Nom Female Sweat (7/8" ID)
- 5** 1/2" Nom Male Sweat (5/8" OD)
- 6** 1/2" Nom Female Sweat (5/8" ID)
- 7** 3/4" PEX Barbed

24

Length

Nominal Connector Length in Inches

Most connectors available in lengths from 12" to 24". Check listing for specific lengths available.

Speedi Plumb® PLUS Polymer Braided Water Heater Connectors

Superior Flexibility, Superior Corrosion Resistance



No Kinking, No Crimping

The patented polymer braided jacket is specially engineered to allow the connector to bend freely without kinking or crimping. Easy to install the connector, won't work harden with repeated bending.

Advanced Corrosion Resistance

The polymer braid is specially engineered to resist corrosion from harsh household cleaning and repair products.

No Dielectric Union Needed

The engineered polymer braid and rubber core are non-conductive materials and therefore eliminate the need for a dielectric union.

Less Torque to Seal

Rubber washer is easier to install on rough nipple surfaces.



Longer Connector Nuts

A greater number of thread-to-thread contact provides a better seal to lined nipples.



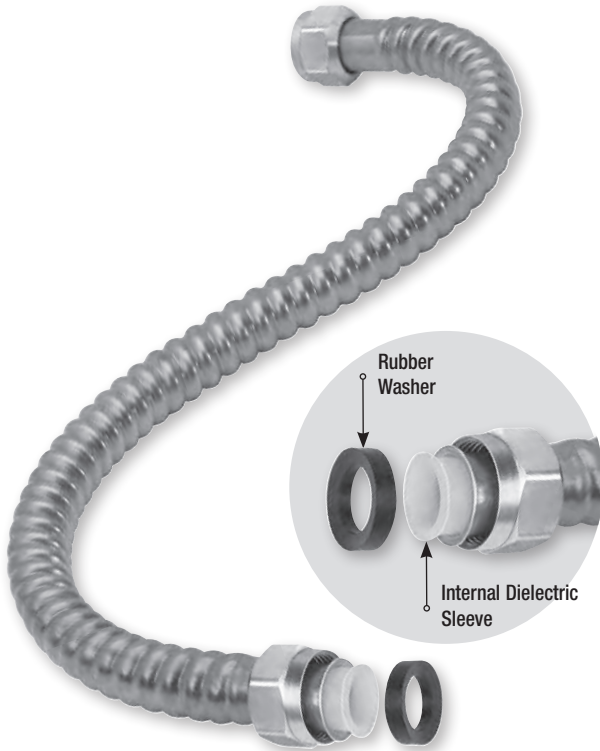
PART NO.	UPC	DESCRIPTION	LENGTH	QTY	LBS
.57" ID Tube - FIP X FIP					
BWB0-12	026613965321	3/4" FIP x 3/4" FIP	12"	10	4.7
BWB0-15	026613965406	3/4" FIP x 3/4" FIP	15"	10	5.3
BWB0-18	026613965413	3/4" FIP x 3/4" FIP	18"	10	5.8
BWB0-24	026613965420	3/4" FIP x 3/4" FIP	24"	10	6.9
.57" ID Tube - FIP X Compression					
BWB05-18	026613120836	3/4" FIP x 5/8" OD Comp	18"	10	6.0
BWB08-12	026613965369	3/4" FIP x 7/8" OD Comp	12"	10	5.5
BWB08-18	026613965383	3/4" FIP x 7/8" OD Comp	18"	10	6.6
BWB08-24	026613965390	3/4" FIP x 7/8" OD Comp	24"	10	7.7
.57" ID Tube - MIP X FIP					
BWB20-12	026613965437	3/4" MIP x 3/4" FIP	12"	10	5.1
BWB20-15	026613965444	3/4" MIP x 3/4" FIP	15"	10	5.7
BWB20-18	026613965451	3/4" MIP x 3/4" FIP	18"	10	6.3
BWB20-24	026613965468	3/4" MIP x 3/4" FIP	24"	10	7.3

*BrassCraft Manufacturing is in compliance with the National Reduction of Lead in Drinking Water Act which becomes effective nationwide on January 4, 2014. This legislation changes the legal definition of "lead free" from 8% lead to a weighted average lead content of 0.25% with respect to wetted surfaces.

PART NO.	UPC	DESCRIPTION	LENGTH	QTY	LBS	
.57" ID Tube - MIP x Compression						
BWB25-18	026613100333	3/4" MIP X 5/8" OD Comp	18"	10	6.3	
BWB28-18	026613965345	3/4" MIP x 7/8" OD Comp	18"	10	7.0	
BWB28-24	026613965352	3/4" MIP x 7/8" OD Comp	24"	10	8.1	
.57" ID Tube - FIP X PEX						
BWB0-18PX	026613107141	3/4" FIP x 3/4" Nom PEX Barb	18"	10	6.8	

Copper-Flex™ Water Heater Connectors

Patented Resistance Against Galvanic Corrosion



Patented Internal Dielectric Sleeve

Effectively separates dissimilar metals within the waterway to prevent galvanic corrosion.

No Dielectric Union Needed

Dielectric sleeve eliminates the need for a dielectric union (plastic lined nipple).

Less Torque to Seal

Rubber washer is more resilient than PEX and easier to install on rough nipple surfaces.

Longer Connector Nuts

A greater number of thread-to-thread contact provides a better seal to lined nipples.

Available for PEX connections



PART NO.	UPC	DESCRIPTION	LENGTH	QTY	LBS
----------	-----	-------------	--------	-----	-----

7/8" OD Tube - FIP X FIP

WB00-12N	026613089287	3/4" FIP x 3/4" FIP	12"	25	9.7
WB00-15N	026613089300	3/4" FIP x 3/4" FIP	15"	25	11.9
WB00-18N	026613089331	3/4" FIP x 3/4" FIP	18"	25	13.1
WB00-24N	026613089348	3/4" FIP x 3/4" FIP	24"	25	16.5
WB10-18N	026613131504	1" FIP x 3/4" FIP	18"	25	17.1








7/8" OD Tube - FIP x Male Sweat

WB03-12N	026613089362	3/4" FIP x 3/4" Nom Male Sweat (7/8" OD)	12"	25	8.1
WB03-15N	026613089379	3/4" FIP x 3/4" Nom Male Sweat (7/8" OD)	15"	25	10.3
WB03-18N	026613089386	3/4" FIP x 3/4" Nom Male Sweat (7/8" OD)	18"	25	11.5
WB03-24N	026613089393	3/4" FIP x 3/4" Nom Male Sweat (7/8" OD)	24"	25	14.9

7/8" OD Tube - FIP x Male/Female Sweat

WB034-12N	026613089409	3/4" FIP x 3/4" Nom Male/Female Sweat (7/8" ID)	12"	25	8.1
WB034-15N	026613089416	3/4" FIP x 3/4" Nom Male/Female Sweat (7/8" ID)	15"	25	10.3
WB034-18N	026613089423	3/4" FIP x 3/4" Nom Male/Female Sweat (7/8" ID)	18"	25	11.5
WB034-24N	026613093710	3/4" FIP x 3/4" Nom Male/Female Sweat (7/8" ID)	24"	25	14.9
WB134-18N	026613110608	1" FIP x 3/4" Nom Male/Female Sweat (7/8" ID)	18"	25	15.5
WB134-24N	026613110615	1" FIP x 3/4" Nom Male/Female Sweat (7/8" ID)	24"	25	19.1

WARNING: For use with water in accessible locations only. DO NOT use with gas – gas will cause corrosion and leakage.

PART NO.	UPC	DESCRIPTION	LENGTH	QTY	LBS	
7/8" OD Tube - FIP x PEX Barb						
WB07-18	026613048871	3/4" FIP x 3/4" PEX Barb (brass, pre-torqued)	18"	25	16.5	
WB07-24	026613100661	3/4" FIP x 3/4" PEX Barb (brass, pre-torqued)	24"	25	20.1	
7/8" OD Tube - FIP/MIP x PEX Barb						
WB27-18	026613107950	3/4" FIP/MIP x 3/4" PEX Barb (brass, pre-torqued)	18"	25	20.2	
7/8" OD Tube - FIP/MIP x FIP						
WB20-12N	026613108254	3/4" FIP/MIP x 3/4" FIP	12"	25	14.1	
WB20-15N	026613110394	3/4" FIP/MIP x 3/4" FIP	15"	25	15.8	
WB20-18N	026613097695	3/4" FIP/MIP x 3/4" FIP	18"	25	18.2	
WB20-24N	026613097701	3/4" FIP/MIP x 3/4" FIP	24"	25	21.8	
7/8" OD Tube - FIP/MIP x Male Sweat						
WB23-18N	026613094762	3/4" FIP/MIP x 3/4" Nom Male Sweat (7/8" OD)	18"	25	16.6	
7/8" OD Tube - FIP/MIP x Male/Female Sweat						
WB234-12N	026613093727	3/4" FIP/MIP x 3/4" Nom Male/Female Sweat (7/8" ID)	12"	25	12.5	
WB234-15N	026613093734	3/4" FIP/MIP x 3/4" Nom Male/Female Sweat (7/8" ID)	15"	25	14.2	
WB234-18N	026613093741	3/4" FIP/MIP x 3/4" Nom Male/Female Sweat (7/8" ID)	18"	25	16.6	
WB234-24N	026613093758	3/4" FIP/MIP x 3/4" Nom Male/Female Sweat (7/8" ID)	24"	25	20.2	
7/8" OD Tube - Female Sweat x Female Sweat						
WC44-12	026613008301	3/4" Nom Female Sweat (7/8" ID) x 3/4" Nom Female Sweat (7/8" ID)	12"	25	6.5	
WC44-15	026613008318	3/4" Nom Female Sweat (7/8" ID) x 3/4" Nom Female Sweat (7/8" ID)	15"	25	8.7	
WC44-18	026613008325	3/4" Nom Female Sweat (7/8" ID) x 3/4" Nom Female Sweat (7/8" ID)	18"	25	9.9	
WC44-24	026613008332	3/4" Nom Female Sweat (7/8" ID) x 3/4" Nom Female Sweat (7/8" ID)	24"	25	13.3	
WC66-12	026613008424	1/2" Nom Female Sweat (5/8" ID) x 1/2" Nom Female Sweat (5/8" ID)	12"	25	6.4	
7/8" OD Tube - Female Sweat x Male Sweat						
WC43-12	026613008264	3/4" Nom Female Sweat (7/8" ID) x 3/4" Nom Male Sweat (7/8" OD)	12"	25	6.5	
WC43-15	026613008271	3/4" Nom Female Sweat (7/8" ID) x 3/4" Nom Male Sweat (7/8" OD)	15"	25	8.7	
WC43-18	026613008288	3/4" Nom Female Sweat (7/8" ID) x 3/4" Nom Male Sweat (7/8" OD)	18"	25	9.9	
WC43-24	026613008295	3/4" Nom Female Sweat (7/8" ID) x 3/4" Nom Male Sweat (7/8" OD)	24"	25	13.3	
WC65-12	026613008387	1/2" Nom Female Sweat (5/8" ID) x 1/2" Nom Male Sweat (5/8" OD)	12"	25	6.4	
WC65-15	026613008394	1/2" Nom Female Sweat (5/8" ID) x 1/2" Nom Male Sweat (5/8" OD)	15"	25	8.6	
WC65-18	026613008400	1/2" Nom Female Sweat (5/8" ID) x 1/2" Nom Male Sweat (5/8" OD)	18"	25	9.8	
WC65-24	026613008417	1/2" Nom Female Sweat (5/8" ID) x 1/2" Nom Male Sweat (5/8" OD)	24"	25	13.2	

CORRUGATED COPPER WATER HEATER CONNECTORS

PART NO.	UPC	DESCRIPTION	LENGTH	QTY	LBS
7/8" OD Tube - Male Sweat x Male Sweat					
WC33-12	026613008202	3/4" Nom Male Sweat (7/8" OD) x 3/4" Nom Male Sweat (7/8" OD)	12"	25	6.5
WC33-18	026613008226	3/4" Nom Male Sweat (7/8" OD) x 3/4" Nom Male Sweat (7/8" OD)	18"	25	9.9
WC33-24	026613008233	3/4" Nom Male Sweat (7/8" OD) x 3/4" Nom Male Sweat (7/8" OD)	24"	25	13.3
WC55-18	026613008363	1/2" Nom Male Sweat (5/8" OD) x 1/2" Nom Male Sweat (5/8" OD)	18"	25	9.8



ProCoat® Coated Stainless Steel Water Heater Connectors

Greater Flexibility, Superior Corrosion Resistance



Exclusive ProCoat® Clear Coat

Provides superior corrosion resistance to deterioration from harsh chemicals that can cause pin hole leaks.

Full Flow, Maximum Performance

With 3/4" full flow internal diameter, our connectors provide greater water flow without obstruction.

Integrated Dielectric Sleeve

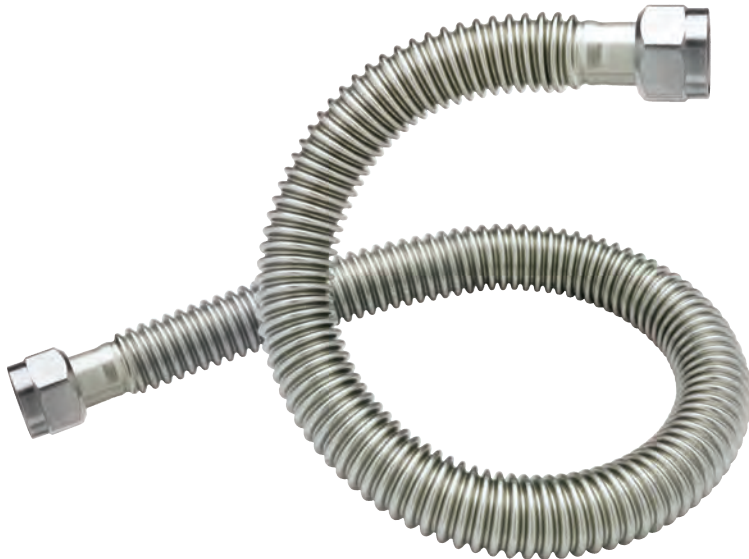
Isolates dissimilar metals within the waterway, where galvanic and electrolytic corrosion have their greatest potential.

No Dielectric Union Needed

Integrated dielectric sleeve eliminates the need to install an additional dielectric union, reducing time and installation costs.

100% Leak Tested

Prior to coating application to ensure connector performance and reliability.



STAINLESS STEEL WATER HEATER CONNECTORS

PART NO.	UPC	DESCRIPTION	LENGTH	QTY	LBS
3/4" ID Tube - FIP x FIP					
SWB00-12N	026613142562	(3/4" ID) 3/4" FIP x 3/4" FIP	12"	25	6.7
SWB00-15N	026613142579	(3/4" ID) 3/4" FIP x 3/4" FIP	15"	25	8.1
SWB00-18N	026613142586	(3/4" ID) 3/4" FIP x 3/4" FIP	18"	25	8.3
SWB00-24N	026613142593	(3/4" ID) 3/4" FIP x 3/4" FIP	24"	25	10.0



*BrassCraft Manufacturing is in compliance with the National Reduction of Lead in Drinking Water Act which becomes effective nationwide on January 4, 2014. This legislation changes the legal definition of "lead free" from 8% lead to a weighted average lead content of 0.25% with respect to wetted surfaces.

WARNING: For use with water in accessible locations only. DO NOT use with gas – gas will cause corrosion and leakage.



PART NO.	UPC	DESCRIPTION	LENGTH	QTY	LBS
Adaptors					
WRU-12-12X	026613154213	Male Adaptor 3/4-14 Straight Male Pipe Thread x 3/4" MIP		25	4.4
WRU-16-12X		Male Adaptor 3/4-14 Straight Male Pipe Thread x 1" MIP		10	2.9



WRU-12PXX		3/4" MIP X 3/4" Nom PEX Brass Barb		10	1.1
-----------	--	------------------------------------	--	----	-----



Pipe Reducer Bushings

PRB-12-8X	026613151281	3/4" MIP x 1/2" FIP		5	.6
-----------	--------------	---------------------	--	---	----



Washers

WRJ	026613051963	Washer 1.020" OD x .687" ID x .240" Thick. For copper connectors with an internal dielectric sleeve		25	.1
-----	--------------	---	--	----	----



WWCD	026613051970	Washer .940" OD x .675" ID x .218" Thick. For copper connectors with an external dielectric sleeve		25	.1
------	--------------	--	--	----	----

PART NO.	UPC	DESCRIPTION	LENGTH	QTY	LBS
----------	-----	-------------	--------	-----	-----

Gas Connector Displays

BC105		GAS CONNECTOR RACK W/PROCOAT HEADER		1	5.5
BC106		GAS CONNECTOR RACK W/SAFETY+PLUS ADVANTAGE HEADER		1	5.5



BC202		LARGE DIAMETER GAS CONNECTOR RACK		1	1.2
-------	--	-----------------------------------	--	---	-----



Water Heater Connector Displays

BC200		WATER HEATER CONNECTOR RACK W/SPEEDI PLUMB PLUS HEADER		1	1.0
-------	--	--	--	---	-----



BC201		WATER HEATER CONNECTOR RACK W/COPPER-FLEX HEADER		1	1.0
-------	--	--	--	---	-----



BC203		WATER HEATER CONNECTOR RACK W/PROCOAT & COPPER-FLEX HEADER		1	1.3
-------	--	--	--	---	-----



Signage / Literature

BC8092		PROCOAT GAS CONNECTOR AISLE HEADER		1	.1
--------	--	------------------------------------	--	---	----



BC8099		SAFETY+PLUS GAS CONNECTOR AISLE HEADER		1	1.0
--------	--	--	--	---	-----



BC8089		PROCOAT GAS CONNECTOR TAKE-WITH BROCHURE		1	.8
--------	--	--	--	---	----



PART NO.	UPC	DESCRIPTION	LENGTH	QTY	LBS
----------	-----	-------------	--------	-----	-----

Signage / Literature (cont.)



BC8402		SAFETY+PLUS GAS CONNECTOR TAKE-WITH BROCHURE		1	1.0
--------	--	--	--	---	-----

Merchandising Aides



DD6000		WIRE LITERATURE HOLDER		1	.2
--------	--	------------------------	--	---	----



DIH824		HEADER MOUNTING FRAME		50	25.0
--------	--	-----------------------	--	----	------

SAFETY+PLUS® GAS APPLIANCE CONNECTORS

Use: For use with indoor and outdoor connections of gas appliances to gas piping system. May be used with natural, manufactured, mixed and liquefied petroleum (LP or propane) gases, and LP gas-air mixtures.

EFV Design Features:

- **Helps prevent gas fires & explosions** due to gas line ruptures or disconnects at the appliance
- **Automatic valve activation** immediately restricts gas flow to a non-hazardous level to help avert a dangerous build up of gas in the home
- **Automatic reset** once the gas line has been properly repaired
- **24 hour, maintenance-free protection** for the life of the product with no parts to wear, break, or misalign over time
- **100% performance tested**

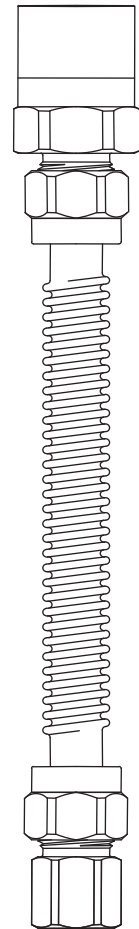
Connector Design Features:

- **Superior corrosion resistance** coating to protect against harsh chemicals found in common household cleaning, plumbing repair, and masonry products
- **UV rays & salt resistant**, ProCoat® gas connectors are certified for indoor & outdoor use
- **Outperforms industry standards for torsion** (1.5X) without compromising the integrity of the coating or connector
- **Outperforms industry standard for repeated bending** (2X) without compromising the integrity of the coating or connector
- **100% performance tested**

Operating Specifications:

Temperature: 32° - 150° F

Pressure: 1/2 PSI maximum



MATERIAL SPECIFICATIONS	
Tubing	Stainless steel
Coating	Polymer blend
Nut	Steel
Standard Fitting	Steel

CONNECTOR FLOW CAPACITY – NATURAL GAS (Straight Length)									
MODEL	I.D.	12"	18"	24"	30"	36"	48"	60"	72"
CSSC	1/2"	180,000	164,200	150,000	136,000	125,000	106,000	93,200	86,000
CSSD	3/8"	102,000	93,100	85,000	77,100	71,100	60,500	53,200	49,100
CSSL	1/4"	48,000	43,800	40,000	36,400	33,400	28,300	24,900	23,100

CONNECTOR FLOW CAPACITY - LPG (PROPANE) (Straight Length)									
MODEL	I.D.	12"	18"	24"	30"	36"	48"	60"	72"
CSSC	1/2"	288,000	262,720	240,000	217,600	200,000	169,600	149,120	137,600
CSSD	3/8"	163,200	148,960	136,000	123,360	113,760	96,800	85,120	78,560
CSSL	1/4"	76,800	70,080	64,000	58,240	53,440	45,280	39,840	36,960

Listings & Certifications:

- CSA listed to ANSI Z21.24 / CSA 6.10 standard "Connectors for Gas Appliances" (file #204593)
- CSA listed to ANSI Z21.75 / CSA 6.27 standard "Connectors for Outdoor Gas Appliances & Manufactured Homes" (file #204593)



PROCOAT® GAS APPLIANCE CONNECTORS

Use: For use with indoor and outdoor connections of gas appliances to gas piping system. May be used with natural, manufactured, mixed and liquefied petroleum (LP or propane) gases, and LP gas-air mixtures.

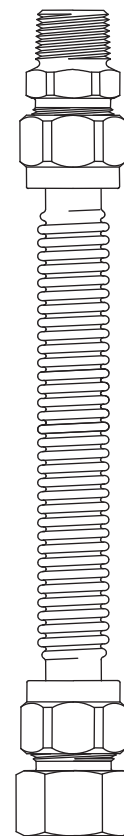
Design Features:

- **Superior corrosion resistance** coating to protect against harsh chemicals found in common household cleaning, plumbing repair, and masonry products
- **UV rays & salt resistant**, ProCoat® gas connectors are certified for indoor & outdoor use
- **Outperforms industry standards for torsion** (1.5X) without compromising the integrity of the coating or connector
- **Outperforms industry standard for repeated bending** (2X) without compromising the integrity of the coating or connector
- **100% performance tested**

Operating Specifications:

Temperature: -40° - 150° F

Pressure: 1/2 PSI maximum



MATERIAL SPECIFICATIONS

Tubing	Stainless steel
Coating	Polymer blend
Nut	Steel
Fitting	Steel

CONNECTOR FLOW CAPACITY – NATURAL GAS (Straight Length)

MODEL	I.D.	12"	18"	24"	30"	36"	48"	60"	72"
CSSB	3/4"	290,900	290,900	290,900	270,500	255,900	215,000	197,400	173,900
CSSC	1/2"	180,000	164,200	150,000	136,000	125,000	106,000	93,200	86,000
CSSD	3/8"	102,000	93,100	85,000	77,100	71,100	60,500	53,200	49,100
CSSL	1/4"	48,000	43,800	40,000	36,400	33,400	28,300	24,900	23,100

CONNECTOR FLOW CAPACITY - LPG (PROPANE) (Straight Length)

MODEL	I.D.	12"	18"	24"	30"	36"	48"	60"	72"
CSSB	3/4"	465,440	465,440	465,440	432,800	409,440	344,000	315,840	278,240
CSSC	1/2"	288,000	262,720	240,000	217,600	200,000	169,600	149,120	137,600
CSSD	3/8"	163,200	148,960	136,000	123,360	113,760	96,800	85,120	78,560
CSSL	1/4"	76,800	70,080	64,000	58,240	53,440	45,280	39,840	36,960

Listings & Certifications:


- CSA listed to ANSI Z21.24 / CSA 6.10 standard "Connectors for Gas Appliances" (file #204593)
- CSA listed to ANSI Z21.75 / CSA 6.27 standard "Connectors for Outdoor Gas Appliances & Manufactured Homes" (file #204593)
- The Commonwealth of Massachusetts

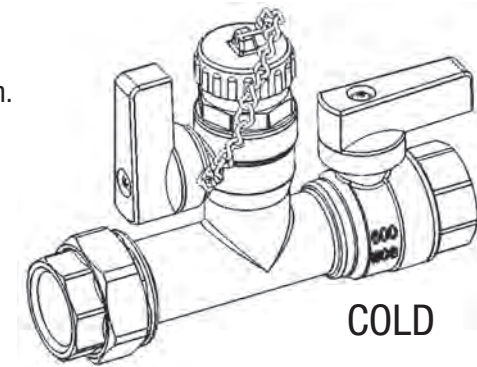
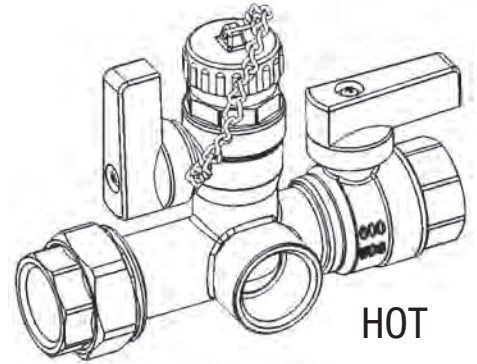


TANKLESS WATER HEATER SERVICE VALVES

Use: For use in potable water distribution systems. Valves are used for water flow control to and from tankless water heater for maintenance of the appliance and emergency shut-off. Valves connect directly to cold water inlet and hot water outlet of the tankless water heater.

Design Features:

- **Compact design** ideal for recessed and cover box installations
- **Captive coupling nut & washer** reduces opportunity for component loss making installation easier
- **Captive washer** won't kink or tear during installation
- **Forged, one-piece construction** reduces the potential for pinhole leaks
- **Integrated drain valve** with independent, 1/4 turn operation allows quick system diagnostic testing and maintenance
- **Built-in side port** for the pressure relief valve reduces the number of connections & simplifies the installation
- **Right-sized handles, color-coded** for immediate system identification. Perfect for tight installations
- **Compliant Tankless Service Valves** available for "no-lead" requirements 



Operating Specifications:

Temperature: 40° - 180° F
Pressure: 125 PSI maximum

Standard

MATERIAL SPECIFICATIONS	
Valve Body	Forged brass
Stem	Brass
Handle	Aluminum, coated
Handle Screw	Steel, zinc plated
Flat Seal	Rubber
Coupling Nut	Forged brass
Drain Cap	Forged brass
Cap Gasket	Rubber
Seat	PTFE
Ball	Brass, chrome plated

Compliant

MATERIAL SPECIFICATIONS	
Valve Body	Compliant forged brass
Stem	Compliant brass
Handle	Aluminum, coated
Handle Screw	Steel, zinc plated
Flat Seal	Rubber
Coupling Nut	Forged brass
Drain Cap	Forged brass
Cap Gasket	Rubber
Seat	PTFE
Ball	Compliant brass, chrome plated

Listings and Certifications:

- CSA verified to WOG 600 rating
- IAPMO listed to NSF/ANSI 61 (file #N-5427) and IGC 157 (file #5427)
- Compliant product manufactured in compliance with section 116875 of the California Health & Safety Code. IAPMO file #6242.



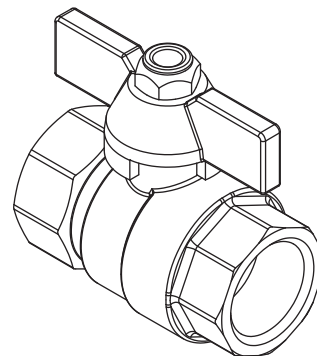
FULL-PORT GAS BALL VALVE

Use: For use with natural, manufactured, mixed, liquefied petroleum (LP) gas, and LP gas-air mixtures.

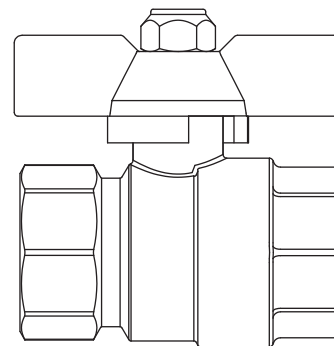
****The National Fuel Gas Code requires a gas shut-off valve installed upstream, within "easy reach" or 6 feet of the gas appliance**

Design Features:

- **Heavy duty forged brass body** eliminates pinhole leaks commonly associated with cast products
- **Blow-out proof stem** is assembled from the inside with double o-rings to provide reliable performance
- **Right-sized handles** ensure on/off operation even in tight installations
- **Quarter turn operation** for easy on/off flow control
- **Full flow operation.** Full port design provides abundant water flow without obstruction
- **Approved for** indoor/outdoor use

**Operating Specifications:**

Temperature: -40° - 125° F
Pressure: 5 PSI maximum

**MATERIAL SPECIFICATIONS**

MATERIAL SPECIFICATIONS	
Valve Body	Forged brass
Retainer	Forged brass
Ball	Brass, chrome plated
Seat	PTFE
Stem	Brass
O-ring	High-temperature rubber
Washer	PTFE
Handle	Aluminum, coated
Nut	Steel, zinc plated

Listings and Certifications:

- CSA listed to ANSI Z21.15 / CSA 9.1, ANSI / ASME B16.44 and CGA CR91-002



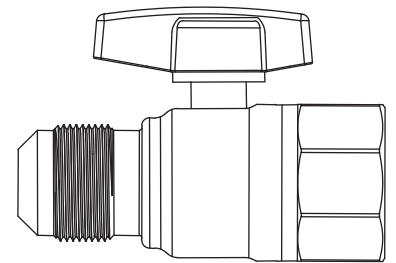
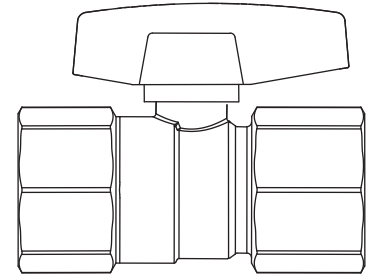
GAS BALL VALVES

Use: For use with natural, manufactured, mixed, liquefied petroleum (LP) gas, and LP gas-air mixtures.

****The National Fuel Gas Code requires a gas shut-off valve installed upstream, within “easy reach” or 6 feet of the gas appliance**

Design Features:

- **Heavy duty forged brass body** eliminates pinhole leaks commonly associated with cast products
- **Blow-out proof stem** is assembled from the inside with double o-rings for reliable performance
- **Right-sized handles** ensure on/off operation even in tight installations
- **Quarter turn operation** for easy on/off flow control
- **PTFE seat** for longer life and consistent performance
- **Approved** for indoor/outdoor use
- **100%** leak tested



Operating Specifications:

Temperature: -40° - 125° F*
Pressure: 5 PSI maximum

* TBV6F-8, TBV10-12, and TBVA10-12 are rated for 32°-125° F

MATERIAL SPECIFICATIONS	
Valve Body	Forged brass
Retainer	Forged brass
Ball	Brass, chrome plated
Seat	PTFE
Stem	Brass
O-ring	High-temperature rubber
Handle	Aluminum, coated
Screw	Steel, zinc plated

Listings and Certifications:

- CSA listed to ANSI Z21.15 / CSA 9.1, ANSI / ASME B16.44 and CGA CR91-002

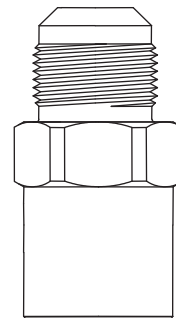


SAFETY+PLUS® APPLIANCE GAS EXCESS FLOW VALVE

Use: For use with natural, manufactured, mixed, liquefied petroleum gases, and LP gas-air mixtures.

Design Features:

- **Helps prevent gas fires & explosions** due to gas line ruptures or disconnects at the appliance
- **Automatic valve activation** immediately restricts gas flow to a non-hazardous level to help avert a dangerous build up of gas in the home
- **Automatic reset** once the gas line has been properly repaired
- **24 hour, maintenance-free protection** for the life of the product with no parts to wear, break, or misalign over time
- **100%** performance tested

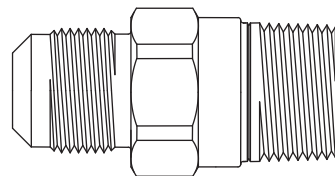
**Operating Specifications:**

Temperature: 32° - 150° F

Pressure: 1/2 PSI maximum

Installation:

Omni-directional: install in any orientation, horizontal to vertical

**MATERIAL SPECIFICATIONS**

Valve Body	Brass
Magnet	Rare earth
Plate	Stainless steel
Seat	Brass
Cartridge Body	POM

FLOW CAPACITY

OD	Cartridge	Label Color	Minimum Flow Rate	Maximum Flow Rate	Closing Flow Rate	Bypass Flow Rate
5/8"	1560	Gold	75,000	135,000 @ 0.5" WC	195,000 @ 0.7" WC	< 5 SCFH
5/8"	1550	Tan	60,501	102,000 @ 0.5" WC	135,000* @ 0.6" WC	< 5 SCFH
1/2"	1550	Lime	60,501	102,000	135,000**	< 5 SCFH
1/2"	1540	Teal	-----	60,500	95,000	< 5 SCFH
3/8"	1540	Lilac	-----	48,000	95,000	< 5 SCFH

*All Safety+PLUS valves require a minimum inlet pressure of 4" W.C. Flow rates given are 0.6 specific gravity natural gas with an average heating value of 1,000 Btu per cubic foot; therefore, 1 kBtu/h is equal to 1 SCFH (standard cubic foot per hour).

**When installed in the vertical downward position (arrows pointing toward floor), the closing flow rate is 110,000 Btu/h @ 0.6" WC

Listings & Certifications:

- IAPMO listed to CSA-US 3.92 standard "Excess Flow Valves" (file #4213)
- CSA listed to CSA-US 3.92 standard "Excess Flow Valves" (file # 204593)
- California Division of State Architects listed to CSA-US 3.92 standard "Excess Flow Valves" (file# CA-DSA 02 02)
- City of Los Angeles



GAS FITTINGS

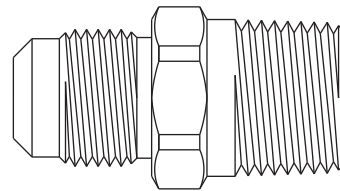
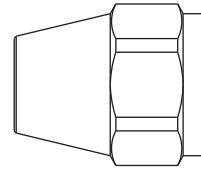
Use: For use with natural, manufactured, mixed, liquefied petroleum gases and LP gas-air mixtures.

Design Features:

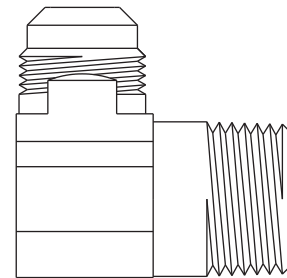
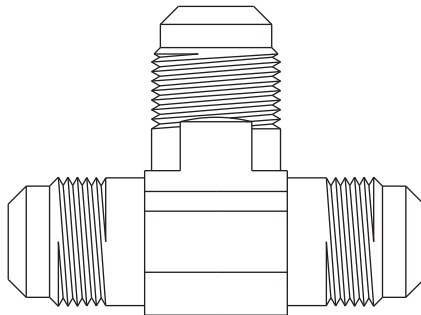
- **One-piece body** provides strength, durability, and long-lasting performance
- **Manufactured with dryseal pipe threads.**

Operating Specifications:

Temperature: -40° - 150° F
Pressure: 1/2 PSI maximum



MATERIAL SPECIFICATIONS	
Brass Fitting	<i>Brass</i>
Steel Fitting	<i>Blue zinc plated steel</i>




Listings & Certifications:

- For use with CSA listed ANSI Z21.24 / CSA 6.10 connectors
- For use with CSA listed ANSI Z21.75 / CSA 6.27 connectors

SPEEDI PLUMB® PLUS BRAIDED WATER HEATER CONNECTORS

Use: For use in exposed locations only to connect water heaters and other water connected devices to the water supply. Not intended for use with recirculating water systems that produce continuous use temperatures above 115° F. For those applications use the BrassCraft® CopperFlex™ or ProCoat® series connectors.

Design Features:

- **Superior corrosion resistance** to harsh chemicals found in common household cleaning and plumbing repair products
- **Greater strength & flexibility.** The patented polymer braid exhibits greater elasticity than stainless steel braiding, significantly increasing the flexibility of the connector
- **No kinking, no crimping.** The polymer braided jacket is specially engineered to bend freely without kinking or crimping the connector
- **Won't work harden** even with repeated bending
- **No dielectric union needed** with installation as the braiding and rubber are constructed of non-conductive materials
- **Longer connector nuts** allow a greater number of thread-to-thread contact and a better seal
- **100% Compliant** 

Operating Specifications:

Temperature: 40° - 140° F, intermittent to 180° F

Pressure: 125 PSI maximum

OPERATING SPECIFICATION				
	12"	15"	18"	24"
Flow Coefficient (Cv)	5.9	5.8	5.6	5.4

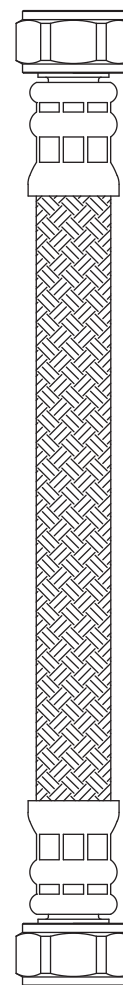
ΔP (Pressure Drop) = GPM^2 / Cv^2 for Example: 24" length connector @ 10 GPM

$\Delta P = 10^2 / 5.4^2 = 100 / 29.16 = 3.43$ psi

MATERIAL SPECIFICATIONS	
Inner Hose	Rubber
Braiding	Coated polyester yarn
Barb	Brass
Ferrule	Brass
Nut	Brass
End Fitting	Brass
Washer	Rubber

Listings & Certifications:

- IAPMO listed to ASME A112.18.6 / CSA B125.6 (File # 0452)
- CSA listed to ASME A112.18.6 / CSA B125.6 (File # 204593)
- Compliant product CSA listed to Low Lead Content Certification Program – Plumbing Products Class 6853-01



COPPER WATER HEATER CONNECTORS

Use: For use in exposed locations only to connect water heaters and other water connected devices to the water supply

Design Features:

- **Superior galvanic corrosion resistance.** Patented internal dielectric sleeve effectively isolates dissimilar metals within the waterway to prevent galvanic corrosion
- **No dielectric union needed** with installation. Dielectric is built into the design of the connector
- **Less torque to seal** against the pliable rubber washer, especially on rough nipple surfaces
- **Longer connector nuts** allow a greater number of thread-to-thread contacts and a better seal
- **100% Compliant (WB Series only)**

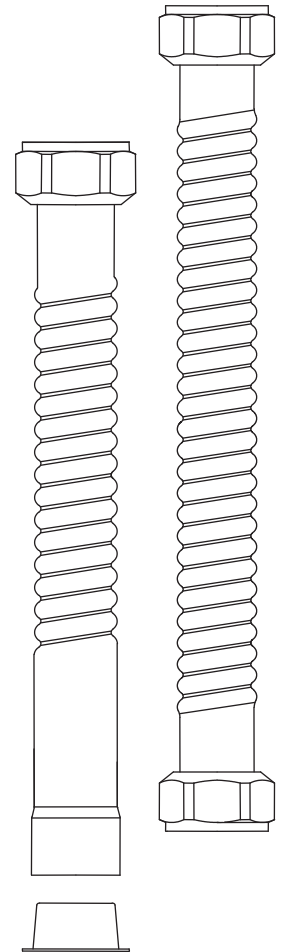
Operating Specifications:

Temperature: 40° - 180° F
Pressure: 125 PSI maximum

MATERIAL SPECIFICATIONS	
Tubing	Copper
Dielectric Sleeve	Polypropylene
Nut	Brass
End Fitting	Brass
Washer	Rubber

Listings & Certifications:


- IAPMO listed to ASME A112.18.6 / CSA B125.6 (File # 0452)
- CSA listed to ASME A112.18.6 / CSA B125.6 (File # 204593)
- Compliant product CSA listed to Low Lead Content Certification Program – Plumbing Products Class 6853-01



PROCOAT® STAINLESS STEEL WATER HEATER CONNECTORS

Use: For use in exposed locations only to connect water heaters, water softeners and other water connected devices to the water supply

Design Features:

- **Proprietary ProCoat® clear coat** provides unrivaled corrosion protection from harsh chemicals that can cause surface deterioration and pinhole leaks
- **Full flow, maximum performance.** 3/4" internal diameter provides greater water flow without obstruction
- **Integrated dielectric sleeve** effectively isolates dissimilar metals within the waterway to help prevent galvanic and electrolytic corrosion
- **No dielectric union needed** with installation. Dielectric is built into the design of the connector
- **Less torque to seal** against the pliable rubber washer, especially on rough nipple surfaces
- **Longer connector nuts** allow a greater number of thread-to-thread contacts and a better seal
- **100%** Leak tested prior to coating application to ensure connector performance and reliability
- **100%** Compliant 

Operating Specifications:

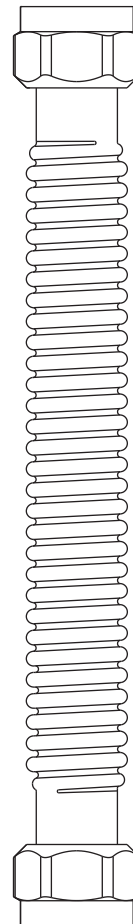
Temperature: 40° - 180° F

Pressure: 125 PSI maximum

MATERIAL SPECIFICATIONS	
Tubing	<i>Stainless steel</i>
Dielectric Sleeve	<i>Polypropylene</i>
Nut	<i>Brass</i>
Washer	<i>Rubber</i>

Listings & Certifications:

- IAPMO listed to ASME A112.18.6 / CSA B125.6 (File # 0452)
- CSA listed to ASME A112.18.6 / CSA B125.6 (File # 204593)
- Compliant product CSA listed to Low Lead Content Certification Program – Plumbing Products Class 6853-01



PART NO.	PAGE	PART NO.	PAGE	PART NO.	PAGE
40-6	35	BCSSD55-18	23	BWB0-24	38
40-8	34	BCSSD55-24	23	BWB05-18	38
41S-6	35	BCSSD5K-12	23	BWB08-12	38
41S-8	35	BCSSD5K-18	23	BWB08-18	38
ASN-10	34	BCSSD5K-24	23	BWB08-24	38
AU1-14-12	34	BCSSD5K-30	23	BWB20-12	38
AU1-14-16	34	BCSSD77-12	23	BWB20-15	38
AU1-6-8S	35	BCSSD77-18	23	BWB20-18	38
AU1-6S	35	BCSSD77-24	23	BWB20-24	38
AU1-8-12S	34	BCSSD77-30	23	BWB25-18	39
AU1-8S	34	BCSSL44-12	23	BWB28-18	39
AU2-14-12	34	BCSSL44-18	23	BWB28-24	39
AU2-14-16	34	BCSSL44-24	23	CSSB11-12	12
AU2-6-8S	35	BCSSL44-30	23	CSSB11-18	12
AU2-6S	35	BCSSL47-12	23	CSSB11-24	12
AU2-8-12S	34	BCSSL47-18	23	CSSB11-30	12
AU2-8-6S	34	BCSSL47-24	23	CSSB11-36	12
AU2-8S	34	BCSSL47-30	23	CSSB11-48	12
BC105	45	BCSSL4M-12	24	CSSB11-60	12
BC106	45	BCSSL4M-18	24	CSSB1412-12	12
BC200	45	BCSSL4M-24	24	CSSB1412-18	12
BC201	45	BCSSL4M-30	24	CSSB1412-24	12
BC202	45	BCSSL54-12	24	CSSB1412-36	12
BC203	45	BCSSL54-18	24	CSSB1412-48	12
BC8089	45	BCSSL54-24	24	CSSB1412-60	12
BC8092	45	BCSSL54-30	24	CSSB21-12	12
BC8099	45	BCSSL7M-12	24	CSSB21-18	12
BC8402	46	BCSSL7M-18	24	CSSB21-24	12
BCSSD44-12	23	BCSSL7M-24	24	CSSB21-30	12
BCSSD44-18	23	BCSSL7M-30	24	CSSB21-36	12
BCSSD44-24	23	BCSSL87-12	24	CSSB21-48	12
BCSSD44-30	23	BCSSL87-18	24	CSSB21-60	12
BCSSD47-12	23	BCSSL87-24	24	CSSB21-72	13
BCSSD47-18	23	BCSSL87-30	24	CSSB22-12	13
BCSSD47-24	23	BCSSL88-12	24	CSSB22-18	13
BCSSD47-30	23	BCSSL88-18	24	CSSB22-24	13
BCSSD4K-12	23	BCSSL88-24	24	CSSB22-30	13
BCSSD4K-18	23	BCSSL88-30	24	CSSB22-36	13
BCSSD4K-24	23	BCSSL8M-12	24	CSSB22-48	13
BCSSD4K-30	23	BCSSL8M-18	24	CSSB22-60	13
BCSSD54-12	23	BCSSL8M-24	24	CSSB22-72	13
BCSSD54-18	23	BCSSL8M-30	24	CSSC11-12	13
BCSSD54-24	23	BWB0-12	38	CSSC11-18	13
BCSSD54-30	23	BWB0-15	38	CSSC11-24	13
BCSSD54-36	23	BWB0-18	38	CSSC11-30	13
BCSSD55-12	23	BWB0-18PX	39	CSSC11-36	13

PART NO.	PAGE	PART NO.	PAGE	PART NO.	PAGE
CSSC11-48.....	13	CSSC1P-30.....	16	CSSC24-30.....	14
CSSC11-60.....	13	CSSC1P-36.....	16	CSSC24-36.....	14
CSSC11-72.....	13	CSSC1P-48.....	16	CSSC24-48.....	14
CSSC11E-12.....	7	CSSC1P-60.....	16	CSSC24-60.....	14
CSSC11E-18.....	7	CSSC21-12.....	14	CSSC24-72.....	14
CSSC11E-24.....	7	CSSC21-18.....	14	CSSC24E-12.....	7
CSSC11E-30.....	7	CSSC21-24.....	14	CSSC24E-18.....	7
CSSC11E-36.....	7	CSSC21-30.....	14	CSSC24E-24.....	7
CSSC11E-48.....	7	CSSC21-36.....	14	CSSC24E-30.....	7
CSSC11E-60.....	7	CSSC21-48.....	14	CSSC24E-36.....	7
CSSC11E-72.....	7	CSSC21-60.....	14	CSSC24E-48.....	7
CSSC14-12.....	13	CSSC21-72.....	14	CSSC24E-60.....	7
CSSC14-18.....	13	CSSC21E-12.....	7	CSSC24E-72.....	7
CSSC14-24.....	13	CSSC21E-18.....	7	CSSC25-12.....	14
CSSC14-30.....	13	CSSC21E-24.....	7	CSSC25-18.....	14
CSSC14-36.....	13	CSSC21E-30.....	7	CSSC25-24.....	14
CSSC14-48.....	13	CSSC21E-36.....	7	CSSC25-30.....	14
CSSC14-60.....	13	CSSC21E-48.....	7	CSSC25-36.....	14
CSSC14-72.....	13	CSSC21E-60.....	7	CSSC25-48.....	14
CSSC14E-12.....	7	CSSC21E-72.....	7	CSSC25-60.....	14
CSSC14E-18.....	7	CSSC22-12.....	14	CSSC25-72.....	15
CSSC14E-24.....	7	CSSC22-18.....	14	CSSC2J-12.....	16
CSSC14E-30.....	7	CSSC22-24.....	14	CSSC2J-18.....	16
CSSC14E-36.....	7	CSSC22-30.....	14	CSSC2J-24.....	16
CSSC14E-48.....	7	CSSC22-36.....	14	CSSC2J-30.....	16
CSSC14E-60.....	7	CSSC22-48.....	14	CSSC2J-36.....	16
CSSC14E-72.....	7	CSSC22-60.....	14	CSSC2J-48.....	16
CSSC15-12.....	13	CSSC22-72.....	14	CSSC2J-60.....	16
CSSC15-18.....	13	CSSC22E-12.....	8	CSSC2J-72.....	16
CSSC15-24.....	13	CSSC22E-18.....	8	CSSC2P-12.....	16
CSSC15-30.....	13	CSSC22E-24.....	8	CSSC2P-18.....	16
CSSC15-36.....	13	CSSC22E-30.....	8	CSSC2P-24.....	16
CSSC15-48.....	13	CSSC22E-36.....	8	CSSC2P-30.....	16
CSSC15-60.....	14	CSSC22E-48.....	8	CSSC2P-36.....	16
CSSC15-72.....	14	CSSC22E-60.....	8	CSSC2P-48.....	16
CSSC1J-12.....	15	CSSC22E-72.....	8	CSSC2P-60.....	16
CSSC1J-18.....	15	CSSC23-12.....	15	CSSC44-12.....	13
CSSC1J-24.....	15	CSSC23-24.....	15	CSSC44-18.....	13
CSSC1J-30.....	15	CSSC23-30.....	15	CSSC44-24.....	13
CSSC1J-36.....	15	CSSC23-36.....	15	CSSC44-30.....	13
CSSC1J-48.....	15	CSSC23-48.....	15	CSSC44-36.....	13
CSSC1J-60.....	15	CSSC23-60.....	15	CSSC44-48.....	13
CSSC1J-72.....	15	CSSC23-72.....	15	CSSC44-60.....	13
CSSC1P-12.....	16	CSSC24-12.....	14	CSSC44-72.....	13
CSSC1P-18.....	16	CSSC24-18.....	14	CSSC44E-12.....	7
CSSC1P-24.....	16	CSSC24-24.....	14	CSSC44E-18.....	7

PART NO.	PAGE	PART NO.	PAGE	PART NO.	PAGE
CSSC44E-24.....	7	CSSC55-24.....	15	CSSCNN-22N.....	16
CSSC44E-30.....	7	CSSC55-30.....	15	CSSCNN-28N.....	16
CSSC44E-36.....	7	CSSC55-36.....	15	CSSCNN-34N.....	16
CSSC44E-48.....	7	CSSC55-48.....	15	CSSCNN-46N.....	16
CSSC44E-60.....	7	CSSC55-60.....	15	CSSCNN-58N.....	16
CSSC44E-72.....	7	CSSC55-72.....	15	CSSCNN-70N.....	16
CSSC4J-12.....	15	CSSC55E-12.....	8	CSSD44-12.....	17
CSSC4J-18.....	15	CSSC55E-18.....	8	CSSD44-18.....	17
CSSC4J-24.....	15	CSSC55E-24.....	8	CSSD44-24.....	17
CSSC4J-30.....	15	CSSC55E-30.....	8	CSSD44-30.....	17
CSSC4J-36.....	15	CSSC55E-36.....	8	CSSD44-36.....	17
CSSC4J-48.....	15	CSSC55E-48.....	8	CSSD44-48.....	17
CSSC4J-60.....	15	CSSC55E-60.....	8	CSSD44-60.....	17
CSSC4J-72.....	15	CSSC55E-72.....	8	CSSD44-72.....	17
CSSC4K-12.....	15	CSSC91E-12.....	8	CSSD44E-12.....	9
CSSC4K-18.....	15	CSSC91E-18.....	8	CSSD44E-18.....	9
CSSC4K-24.....	15	CSSC91E-24.....	8	CSSD44E-24.....	9
CSSC4K-30.....	15	CSSC91E-30.....	8	CSSD44E-30.....	9
CSSC4K-36.....	15	CSSC91E-36.....	8	CSSD44E-36.....	9
CSSC4K-48.....	15	CSSC91E-48.....	8	CSSD44E-48.....	9
CSSC4P-12.....	16	CSSC91E-60.....	8	CSSD44E-60.....	9
CSSC4P-18.....	16	CSSC91E-72.....	8	CSSD44E-72.....	9
CSSC4P-24.....	16	CSSC94E-12.....	8	CSSD45E-12.....	9
CSSC4P-30.....	16	CSSC94E-18.....	8	CSSD45E-18.....	9
CSSC4P-36.....	16	CSSC94E-24.....	8	CSSD45E-24.....	9
CSSC4P-48.....	16	CSSC94E-30.....	8	CSSD45E-30.....	9
CSSC4P-60.....	16	CSSC94E-36.....	8	CSSD45E-36.....	9
CSSC4P-72.....	16	CSSC94E-48.....	8	CSSD45E-48.....	9
CSSC54-12.....	14	CSSC94E-60.....	8	CSSD45E-60.....	10
CSSC54-18.....	14	CSSC94E-72.....	9	CSSD45E-72.....	10
CSSC54-24.....	14	CSSCJ4E-12 P20.....	9	CSSD47-12.....	17
CSSC54-30.....	14	CSSCJ4E-18 P20.....	9	CSSD47-18.....	17
CSSC54-36.....	14	CSSCJ4E-24 P20.....	9	CSSD47-24.....	17
CSSC54-48.....	14	CSSCJ4E-36 P20.....	9	CSSD47-30.....	17
CSSC54-60.....	14	CSSCJ4E-48 P20.....	9	CSSD47-36.....	17
CSSC54-72.....	14	CSSCJ4E-60 P12.....	9	CSSD47-48.....	17
CSSC54E-12.....	8	CSSCJ4E-72 P12.....	9	CSSD47-60.....	17
CSSC54E-18.....	8	CSSCK4E-12 P20.....	9	CSSD47-72.....	17
CSSC54E-24.....	8	CSSCK4E-18 P20.....	9	CSSD48-12.....	17
CSSC54E-30.....	8	CSSCK4E-24 P20.....	9	CSSD48-18.....	17
CSSC54E-36.....	8	CSSCK4E-36 P20.....	9	CSSD48-24.....	18
CSSC54E-48.....	8	CSSCK4E-48 P20.....	9	CSSD48-30.....	18
CSSC54E-60.....	8	CSSCK4E-60 P12.....	9	CSSD48-36.....	18
CSSC54E-72.....	8	CSSCK4E-72 P12.....	9	CSSD48-48.....	18
CSSC55-12.....	15	CSSCNN-10N.....	16	CSSD48-60.....	18
CSSC55-18.....	15	CSSCNN-16N.....	16	CSSD48-72.....	18

PART NO.	PAGE	PART NO.	PAGE	PART NO.	PAGE
CSSD4K-12	18	CSSD57-60	17	CSSL44-48	19
CSSD4K-18	18	CSSD57-72	17	CSSL44-60	19
CSSD4K-24	18	CSSD58-12	18	CSSL44-72	19
CSSD4K-30	18	CSSD58-18	18	CSSL44E-12	10
CSSD4K-36	18	CSSD58-24	18	CSSL44E-18	10
CSSD4K-48	18	CSSD58-30	18	CSSL44E-24	10
CSSD4K-60	18	CSSD58-36	18	CSSL44E-30	10
CSSD4K-72	18	CSSD58-48	18	CSSL44E-36	10
CSSD54-12	17	CSSD58-60	18	CSSL44E-48	10
CSSD54-18	17	CSSD58-72	18	CSSL44E-60	10
CSSD54-24	17	CSSD5K-12	18	CSSL44E-72	10
CSSD54-30	17	CSSD5K-18	18	CSSL47-18	19
CSSD54-36	17	CSSD5K-24	18	CSSL47-24	19
CSSD54-48	17	CSSD5K-30	18	CSSL47-30	19
CSSD54-60	17	CSSD5K-36	18	CSSL47-36	19
CSSD54-72	17	CSSD5K-48	18	CSSL47-48	19
CSSD54E-12	10	CSSD5K-60	18	CSSL47-60	19
CSSD54E-18	10	CSSD5K-72	18	CSSL48-12	20
CSSD54E-24	10	CSSD77-12	17	CSSL48-18	20
CSSD54E-30	10	CSSD77-18	17	CSSL48-24	20
CSSD54E-36	10	CSSD77-24	17	CSSL48-30	20
CSSD54E-48	10	CSSD77-30	17	CSSL48-36	20
CSSD54E-60	10	CSSD77-36	17	CSSL48-48	20
CSSD54E-72	10	CSSD77-48	17	CSSL48-60	20
CSSD55-12	18	CSSD77-60	17	CSSL48-72	20
CSSD55-18	18	CSSD77-72	17	CSSL48E-12	11
CSSD55-24	18	CSSDK4E-12 P20	10	CSSL48E-18	11
CSSD55-30	18	CSSDK4E-18 P20	10	CSSL48E-24	11
CSSD55-36	18	CSSDK4E-24 P20	10	CSSL48E-30	11
CSSD55-48	18	CSSDK4E-36 P20	10	CSSL48E-36	11
CSSD55-60	18	CSSDK4E-48 P20	10	CSSL48E-48	11
CSSD55-72	18	CSSDK4E-60 P12	10	CSSL48E-60	11
CSSD55E-12	10	CSSDK4E-72 P12	10	CSSL48E-72	11
CSSD55E-18	10	CSSDNN-10N	19	CSSL4M-12	20
CSSD55E-24	10	CSSDNN-16N	19	CSSL4M-18	20
CSSD55E-30	10	CSSDNN-22N	19	CSSL4M-24	20
CSSD55E-36	10	CSSDNN-28N	19	CSSL4M-30	20
CSSD55E-48	10	CSSDNN-34N	19	CSSL4M-36	20
CSSD55E-60	10	CSSDNN-46N	19	CSSL4M-48	20
CSSD55E-72	10	CSSDNN-58N	19	CSSL4M-60	20
CSSD57-12	17	CSSDNN-70N	19	CSSL4M-72	21
CSSD57-18	17	CSSL44-12	19	CSSL54-12	19
CSSD57-24	17	CSSL44-18	19	CSSL54-18	19
CSSD57-30	17	CSSL44-24	19	CSSL54-24	19
CSSD57-36	17	CSSL44-30	19	CSSL54-30	19
CSSD57-48	17	CSSL44-36	19	CSSL54-36	19

PART NO.	PAGE	PART NO.	PAGE	PART NO.	PAGE
CSSL54-48	19	CSSL7M-48	21	CSSLNN-58N	21
CSSL54-60	19	CSSL7M-60	21	CSSLNN-70N	21
CSSL54-72	19	CSSL87-12	20	CSST44-18	21
CSSL54E-12	11	CSSL87-18	20	CSST44-24	21
CSSL54E-18	11	CSSL87-24	20	CSST44-30	21
CSSL54E-24	11	CSSL87-30	20	CSST44-36	21
CSSL54E-30	11	CSSL87-36	20	CSST44-48	21
CSSL54E-36	11	CSSL87-48	20	CSST44-60	21
CSSL54E-48	11	CSSL87-60	20	CSST44-72	21
CSSL54E-60	11	CSSL87-72	20	CSST54-12	21
CSSL54E-72	11	CSSL87E-12	11	CSST54-18	21
CSSL55-12	20	CSSL87E-18	11	CSST54-24	21
CSSL55-18	20	CSSL87E-24	11	CSST54-30	21
CSSL55-24	20	CSSL87E-30	11	CSST54-36	21
CSSL55-30	20	CSSL87E-36	11	CSST54-48	21
CSSL55-36	20	CSSL87E-48	11	CSST54-60	22
CSSL55-48	20	CSSL87E-60	11	CSST54-72	22
CSSL55-60	20	CSSL87E-72	11	CSST57-12	22
CSSL55-72	20	CSSL88-12	20	CSST57-24	22
CSSL57-12	19	CSSL88-18	20	CSST57-30	22
CSSL57-18	19	CSSL88-24	20	CSST57-36	22
CSSL57-24	19	CSSL88-30	20	CSST57-48	22
CSSL57-30	19	CSSL88-36	20	CSST87-12	22
CSSL57-36	19	CSSL88-48	20	CSST87-18	22
CSSL57-48	20	CSSL88-60	20	CSST87-24	22
CSSL57-60	20	CSSL88E-12	11	CSST87-30	22
CSSL57-72	20	CSSL88E-18	11	CSST87-36	22
CSSL57E-12	11	CSSL88E-24	11	CSST87-48	22
CSSL57E-18	11	CSSL88E-30	11	CSST87-60	22
CSSL57E-24	11	CSSL88E-36	11	CSST88-12	22
CSSL57E-30	11	CSSL88E-48	11	CSST88-18	22
CSSL57E-36	11	CSSL88E-60	11	CSST88-24	22
CSSL57E-48	11	CSSL88E-72	11	CSST88-30	22
CSSL57E-60	11	CSSL8M-12	21	CSST88-36	22
CSSL57E-72	11	CSSL8M-18	21	CSST88-60	22
CSSL77-12	19	CSSL8M-24	21	CSST88-72	22
CSSL77-18	19	CSSL8M-30	21	CSSTNN-10N	22
CSSL77-24	19	CSSL8M-36	21	CSSTNN-16N	22
CSSL77-30	19	CSSL8M-48	21	CSSTNN-22N	22
CSSL77-36	19	CSSL8M-72	21	CSSTNN-28N	22
CSSL77-48	19	CSSLNN-10N	21	CSSTNN-34N	22
CSSL7M-12	21	CSSLNN-16N	21	CSSTNN-46N	22
CSSL7M-18	21	CSSLNN-22N	21	CSSTNN-58N	22
CSSL7M-24	21	CSSLNN-28N	21	CSSTNN-70N	22
CSSL7M-30	21	CSSLNN-34N	21	DD6000	46
CSSL7M-36	21	CSSLNN-46N	21	DIH824	46

PART NO.	PAGE	PART NO.	PAGE	PART NO.	PAGE
EU1-8-12 P.....	33	TBV16.....	30	WB10-18N.....	40
EU2-6-12 P.....	33	TBV6-8.....	30	WB134-18N.....	40
EU2-6-8 P.....	33	TBV6F-8.....	30	WB134-24N.....	40
EU2-8 P.....	33	TBV8.....	30	WB20-12N.....	41
EU2-8-12 P.....	33	TBV8-8.....	30	WB20-15N.....	41
EU2-8-12L P.....	33	TBVA10-12.....	31	WB20-18N.....	41
EU2-8L P.....	33	TBVA6-8.....	31	WB20-24N.....	41
EU4-6-8 P.....	33	TBVA8-8.....	31	WB23-18N.....	41
EU4-8-12L P.....	33	TBVF6.....	31	WB234-12N.....	41
F0-6.....	36	TBVF8.....	31	WB234-15N.....	41
F0-6-4 R.....	36	TK30RB21-18.....	27	WB234-18N.....	41
F10-6S.....	36	TK30RB21-18G3.....	27	WB234-24N.....	41
F12-6-8S.....	36	TK30RB21-18G3X.....	27	WB27-18.....	41
FC-6.....	36	TK30RB21-18X.....	27	WC33-12.....	42
FRC13-6-8S.....	36	TK30RB21-24.....	27	WC33-18.....	42
FRC16-6.....	36	TK30RB21-24G3.....	27	WC33-24.....	42
FRC18-6-8.....	36	TK30RB21-24G3X.....	27	WC43-12.....	41
FT3-6.....	36	TK30RB21-24X.....	27	WC43-15.....	41
FU3-6.....	36	TK3SRB21-18.....	28	WC43-18.....	41
LBV12.....	31	TK3SRB21-18G3.....	28	WC43-24.....	41
LBV8.....	31	TK3SRB21-18X.....	28	WC44-12.....	41
M40-10.....	34	TK3SRB21-24.....	28	WC44-15.....	41
MAE1-10-12.....	34	TK3SRB21-24G3.....	28	WC44-18.....	41
MAU1-10-12S.....	34	TK3SRB21-24X.....	28	WC44-24.....	41
MAU1-10-8S.....	34	TWV30.....	27	WC55-18.....	42
MAU2-10-12S.....	34	TWV30R.....	27	WC65-12.....	41
MAU2-10-8S.....	34	TWV30RX.....	27	WC65-15.....	41
MEU1-10-12 P.....	33	TWV30X.....	27	WC65-18.....	41
MEU1-10-12L P.....	33	TWV3S.....	27	WC65-24.....	41
MEU2-10-12 P.....	33	TWV3SR.....	27	WC66-12.....	41
MEU2-10-12L P.....	33	TWV3SRX.....	27	WRJ.....	44
MEU2-10-8 P.....	33	TWV3SX.....	27	WRU-12-12X.....	44
MEU5-10 P.....	33	WB00-12N.....	40	WRU-12PXX.....	44
MEU5-10L P.....	33	WB00-15N.....	40	WRU-16-12X.....	44
PRB-12-8X.....	44	WB00-18N.....	40	WWCD.....	44
PSC1079.....	25	WB00-24N.....	40		
PSC1081.....	25	WB03-12N.....	40		
PSC1083.....	25	WB03-15N.....	40		
SWB00-12N.....	43	WB03-18N.....	40		
SWB00-15N.....	43	WB03-24N.....	40		
SWB00-18N.....	43	WB034-12N.....	40		
SWB00-24N.....	43	WB034-15N.....	40		
TBV10-12.....	30	WB034-18N.....	40		
TBV10-8.....	30	WB034-24N.....	40		
TBV12.....	30	WB07-18.....	41		
TBV12F.....	30	WB07-24.....	41		

Distributed by:

Committed to Quality, Driven by Innovation.

For product availability please refer to "Wholesale 2013 Compliant Conversion Plan - Product Availability List" on ROA.
Product offering and availability are subject to change. Please contact BrassCraft Customer Service toll-free
at 877-272-7755 for verification or ROA access.



BrassCraft[®]



Scan for direct
access to the
BrassCraft®
Gas Appliance
& Water Heater
Connectors List
Price Schedule

BrassCraft Manufacturing Co.
39600 Orchard Hill Place
Novi, Michigan 48375-5331
TOLL-FREE: (877) 272-7755
FAX: (248) 305-6011

350 South Edgeware Road
St. Thomas, Ontario Canada N4P 4C4
TOLL-FREE: (800) 265-4322
FAX: (800) 567-9100